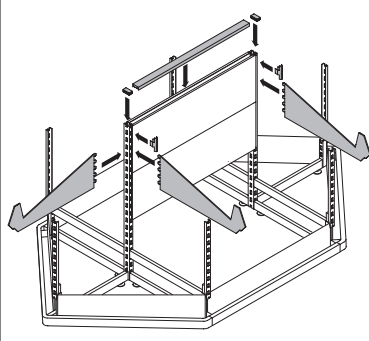
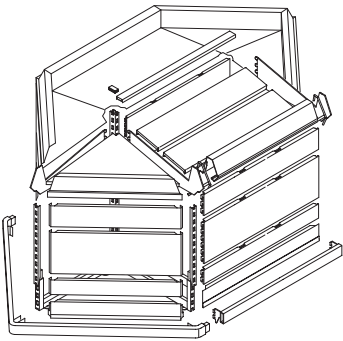
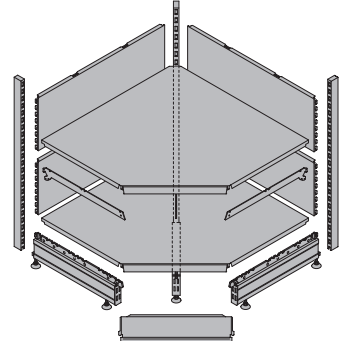
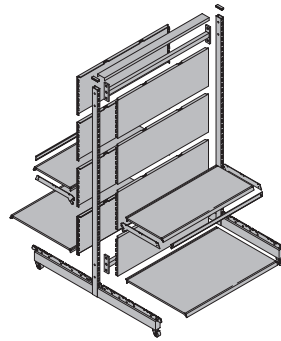


Tegometall

New versatility in shopfitting

Assembling Instructions for Shopfitting Shelves



**Tegometall
International Sales GmbH**

Industriestraße
CH-8574 Lengwil–Oberhofen
Phone +41 (0) 71 6 86 93 60
Fax +41 (0) 71 6 86 93 77
Info@tegometall-sales.de
www.tegometall-sales.de

Dated: January 2008

List of Chapters

Chapter 1	General information	3
Chapter 2	Assembly instructions for shelves and gondolas	7
Chapter 3	Assembly instructions for fruit and vegetable shelf	23
Chapter 4	Assembly instructions for fruit gondola with one or two shelves	29
Chapter 5	Permissible loads	35

Chapter 1	General information	
1	Important information	4
2	Notes on accident prevention	4
3	Liability claim / warranty	5
4	Environmental notes / disposal	5
5	Special notation, symbols and pictograms	5
6	Important tips and information before starting erection and assembly	6
7	Technical information	6

1 Important information

- The assembly steps are described in these assembly instructions without text. Certain procedures are explained with pictograms (symbols). The meanings of the individual pictograms are given in the pictogram overview on Page 5.
- The regulations and load values described in these operating and assembly instructions only apply to shelf installations that are in temperature controlled rooms (> 5°C), which are closed on all sides. The load limits are given in these operating and assembly instructions.
- The regulations and notes given in these assembly instructions must be implemented during the assembly, putting into service and during use of the shelves and gondolas and fruit and vegetable shelves. If you have any questions or require technical support, please contact Tegometall International Sales GmbH.

2 Notes on accident prevention

The following must be complied with at all times during assembly and use of the shelves and gondolas and fruit and vegetable shelves:

- The respective most recent issue of the general accident protection regulations and, in particular, the "Storage Facilities and Equipment" guidelines, professional trade association's rules for health and safety at work – BGR 234, must be fulfilled at all times.
- All relevant accident prevention regulations.
- The generally recognised safety rules.
- The guidelines for storage facilities and equipment of the respective country are to be observed during the assembly and for the planning and design of shelf installations.
- The shelving may only be used for the described intended purpose.
- The technical rules, in particular the manufacturer's guidelines given in these operating and assembly instructions, must be complied with at all times.
- It is not permitted to climb onto or up the shelves.



Please note!

The graphic illustrations of the shelves and shelving parts given in these instructions may differ slightly from the shelf delivered due to technical advances. This has no effect on the content and significance of these assembly instructions, the assembly instructions must always be observed.



Please note!

We reserve the right to produce colour differences and to make technical changes, required due to further development.

3 Liability claim / warranty

- Compliance with the official regulations and the safety information is prerequisite for liability claims.
- Failure to comply with the official regulations and safety information results in exclusion of any manufacturer's liability.

4 Environmental notes / disposal

Old and defective components and the packaging materials can be separated out according to their types, so that, if necessary, they can be disposed of in an environmentally friendly way or their materials recycled.

Special notation, symbols and pictograms

In these instructions, different facts and circumstances are highlighted by particular notation and pictograms. Their meaning and appropriate action is given in the following examples.

Special notation and symbols

- This square “■” indicates a list, which is introduced by a heading.

Piktogramme



Regulation

This symbol indicates a legal regulation. Failure to observe this information results in the exclusion of any warranty and liability of Tegometall International Sales GmbH.



Caution

This symbol indicates a hazardous situation for a person and / or the product. Failure to observe this information can result in personal injuries and/or damage to the shelves.



Ensure interlocking

When installing these shelving parts, ensure they securely lock into place. If not, the components are not properly connected with each other and this can result in personal injuries and/or damage to the shelving.



Ensure secure connection

When installing these shelving parts, ensure they are securely connected. If not, the components are not properly connected with each other and this can result in personal injuries and / or damage to the storage facility.



Please note!

This symbol indicates recommendations for use and helpful tips.



Do not assemble together

Shelving parts labelled with this pictogram may not be assembled and fitted together.



Must be fitted

Shelving parts labelled with this pictogram must be fitted/installed. They are important for safe, stable shelving.



Shelving part can be omitted

Shelving parts are not important for safe, stable shelving.



Important

In assembly steps labelled with this pictogram screws, bolts, nuts, connectors and dowels with specific dimensions must be used for the fixings and fastenings.



Wall mounting with wall-mounting upright

Assembly step refers to shelving parts, which are fitted with wall-mounting uprights.



Wall mounting with upright and baseleg

Assembly step refers to shelving parts, which are fitted with uprights and baselegs and are fixed to the wall.



Freestanding half-gondola, fixed/mobile

Assembly step refers to shelving parts, which are fitted with uprights and baselegs. Half-gondola is freestanding.



Freestanding gondola, fixed / mobile

Assembly step refers to shelving parts, which are fitted with uprights and baselegs. Gondola is freestanding.



Note on 90° internal corner

Three uprights, baselegs and shelf brackets are required for the assembly of the 90° internal corners and angles.



Repeat assembly steps

Complete the assembly steps as described in Chapter 1 – Item 6 “Important tips and information before stating erection and assembly”.



Assembly sequence

Assembly sequence within the assembly topic.



Assembly step in 1

Order of the assembly steps within an assembly sequence.

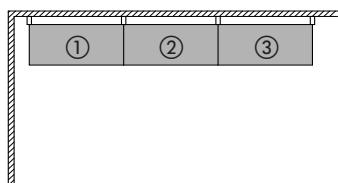
6 Important tips and information before starting the erection and assembly

Before starting the assembly, we recommend you sort the boxes and packages in the following order. Complete the assembly in the same order.

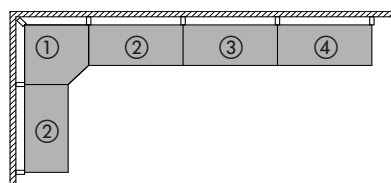
1. Uprights and baselegs, wall-mounting uprights
2. Plinths
3. Rear panels
4. Shelf brackets
5. Shelves
6. Supplementary parts and add-ons
7. Accessories

These diagrams show various layout situations. We recommend you assemble and erect the shelves in the given order (①, ②, ③ ...). Where shelves have corner sections you should erect these first.

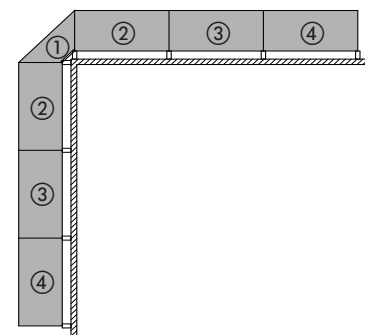
Straight shelving



Shelving with 90° internal corner



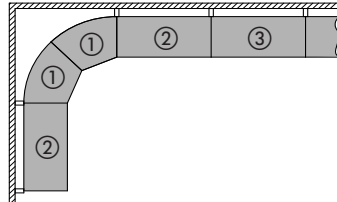
Shelving with 90° external corner



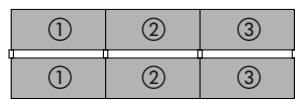
Freestanding half-gondola



Shelving with 2 x 45° internal corners



Freestanding gondola



Drawings and illustrations are subject to change.

7 Technical information

Composition of the product numbers

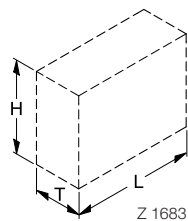
Example:
 Foot disc, H 7, white = **21 3349 01 V**
21 3349 01 V = product group
 21 **3349** 01 V = basic product number
 21 3349 **01** V = version code
 21 3349 01 **V** = packaging unit
 21 3349 01 **P** = pair

Dimensions

The dimensions given are generally nominal dimensions.

The abbreviations mean:

- H = Height
- L = Length
- T = Depth (T)
- B = Width
- Ø = Diameter

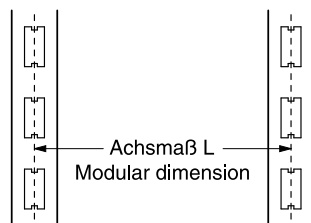


Z 1683

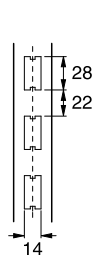
Bay length – nominal dimensions

The precise bay length is

- with L 66,5 cm = **66,65 cm**
- with L 100 cm = **100 cm**
- with L 125 cm = **125 cm**
- with L 133 cm = **133,3 cm**

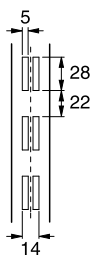


Z 1410



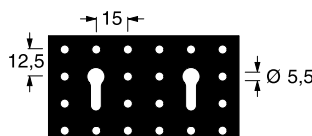
Z 1688

H hole pattern



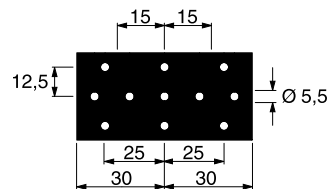
Z 3185

Double slot hole pattern



Z 1684

SL
Combined round and keyhole pattern



Z 1685

RL
Round hole pattern

Chapter 2
Assembly instructions for shelves and gondolas

1	Overview of the shelving components and their function	8
2	Overview of the shelving components and their function	9
2.1	Shelving components for shelves and gondolas / mobile gondolas	9
2.2	Shelving components for internal and external corners	10
2.3	Accessories	10
3	Assembly of the basic shelves and gondolas / mobile gondolas	11
3.1	Connect baselegs with uprights	11
3.2	Wall fastening	11
3.3	Fitting plinths	12
3.4	Attaching crashbar	12
3.5	Rear panel assembly	13
3.5.1	Single-sided rear panel assembly	14
3.5.2	Double-sided rear panel assembly	14
3.6	Shelves	15
3.7	Glass shelves	15
4	Assembling the corners for basic shelves and gondolas	16
4.1	Internal and external corners	16
5	Assembling the fascias for basic shelves and gondolas	17
5.1	Metal and wooden fascias	17
5.2	Fascias with fitted lights	17
5.3	Fascias for internal corners, round	18
5.4	Fascias for internal corners, 90°	18
5.5	Fascias for external corners	18
6	Fitting the wall-mounting uprights	19
6.1	Wall-mounting uprights	19
6.2	Attaching the holders	20
7	Fitting the accessories	20
7.1	Shelf dividers	20
7.2	Dividing grids and front grids	20
7.3	Gondola end, single-sided rear panel	21
7.4	Gondola end, double-sided rear panel	22

1

2

3

4

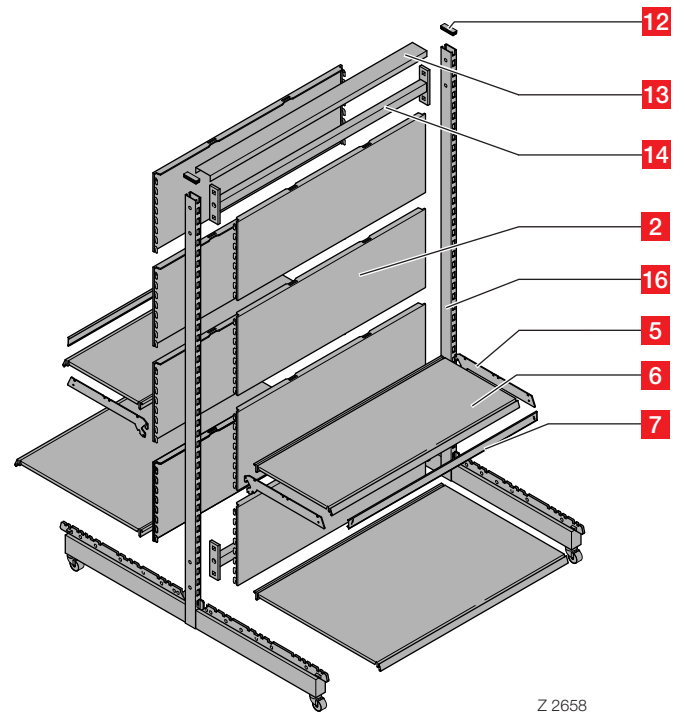
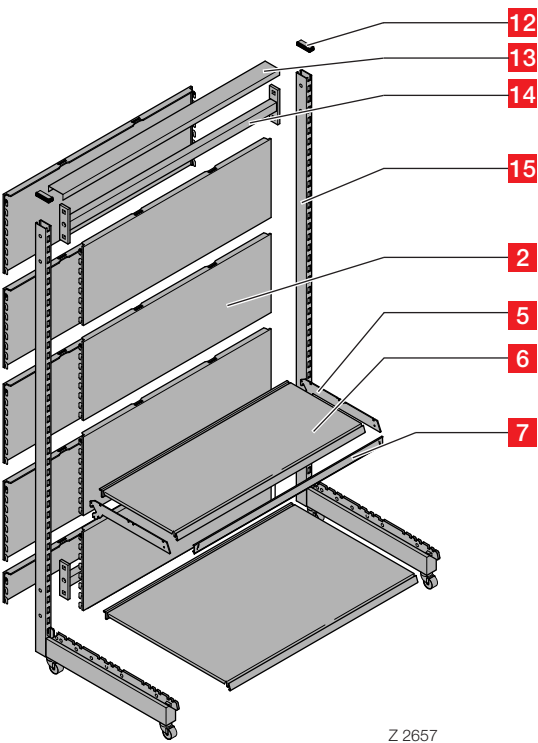
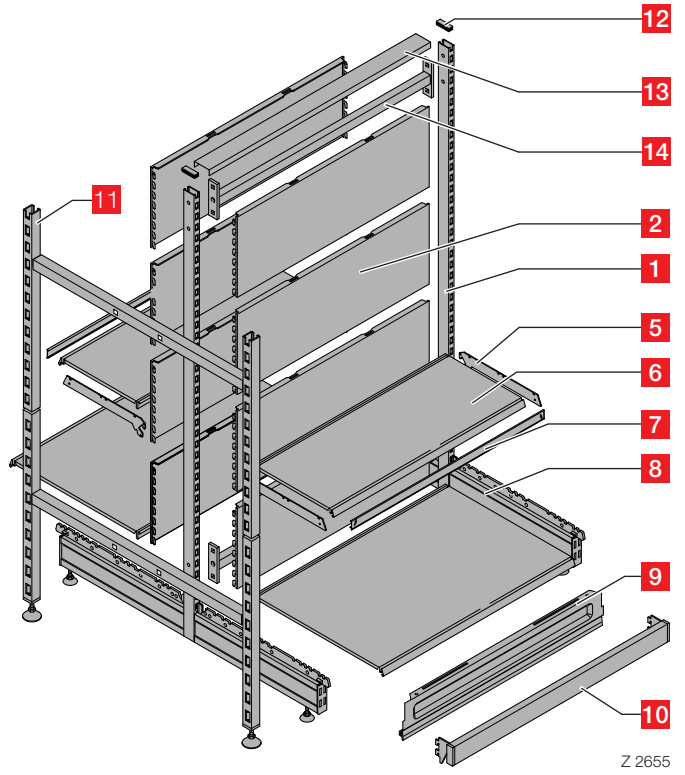
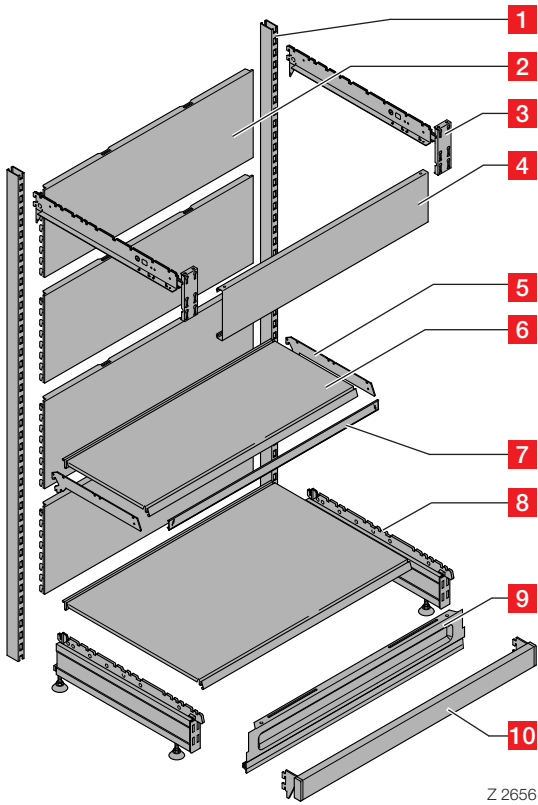
5

1 Overview of the shelving components and their function

- 1 Upright – for hanging the baselegs, shelf brackets and rear panels.
- 2 Rear panel – rear facing.
- 3 Fascia bracket – for fixing the upper fascias.
- 4 Fascia – top facing.
- 5 Shelf bracket – for hanging the shelves.
- 6 Shelf.
- 7 Ticket strip – for inserting price tickets.
- 8 Baseleg – upright holder.
- 9 Plinth – bottom facing.
- 10 Crashbar – protects the shelving from being hit by shopping trolleys.
- 11 Gondola end frame – for attaching a side shelving unit.
- 12 End cap for upright – top upright cover.
- 13 Gondola cover strip – covers the gap between rear panels.
- 14 Tie bar – to improve the shelving's stability.
- 15 Mobile half-gondola stand – mobile upright with baseleg.
- 16 Mobile gondola stand – mobile upright with baseleg.
- 17 Round rear panel – rear facing for round 45° internal corners.
- 18 Shelf, 45° internal corner, round
- 19 Rear panel – 90° external corner.
- 20 Shelf – 90° external corner.
- 21 Shelf – 90° internal corner.
- 22 Wall-mounting upright – for direct mounting on the wall for hanging shelf brackets and rear panels.
- 23 Rear panel SL – for hanging and fitting hooks and holders.
- 24 Subdivider.
- 25 Dividing strip.
- 26 Subdivider.
- 27 Subdivider.
- 28 Front grid – for partitioning a shelf.
- 29 Divider grid – for partitioning a shelf.
- 30 Angular shelf brackets for wooden and glass shelves.
- 31 Connection bar.
- 32 Glass support.
- 33 Glass shelf.

2 Views of the shelving components and their function

2.1 Shelving components for shelves and gondolas / mobile gondolas



1

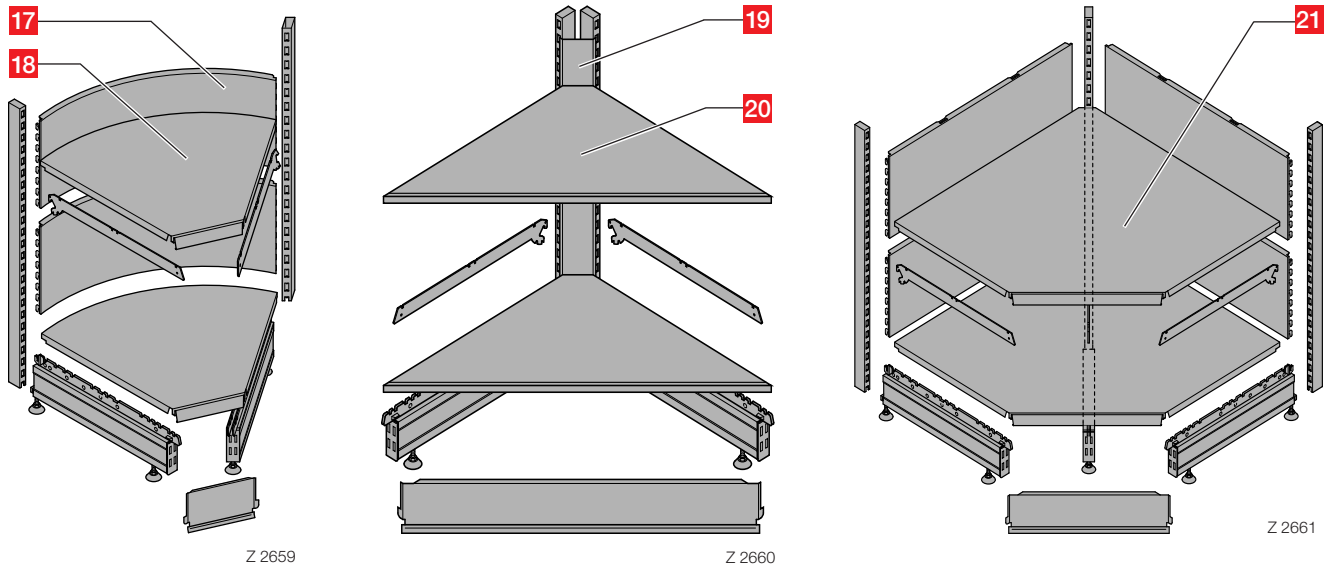
2

3

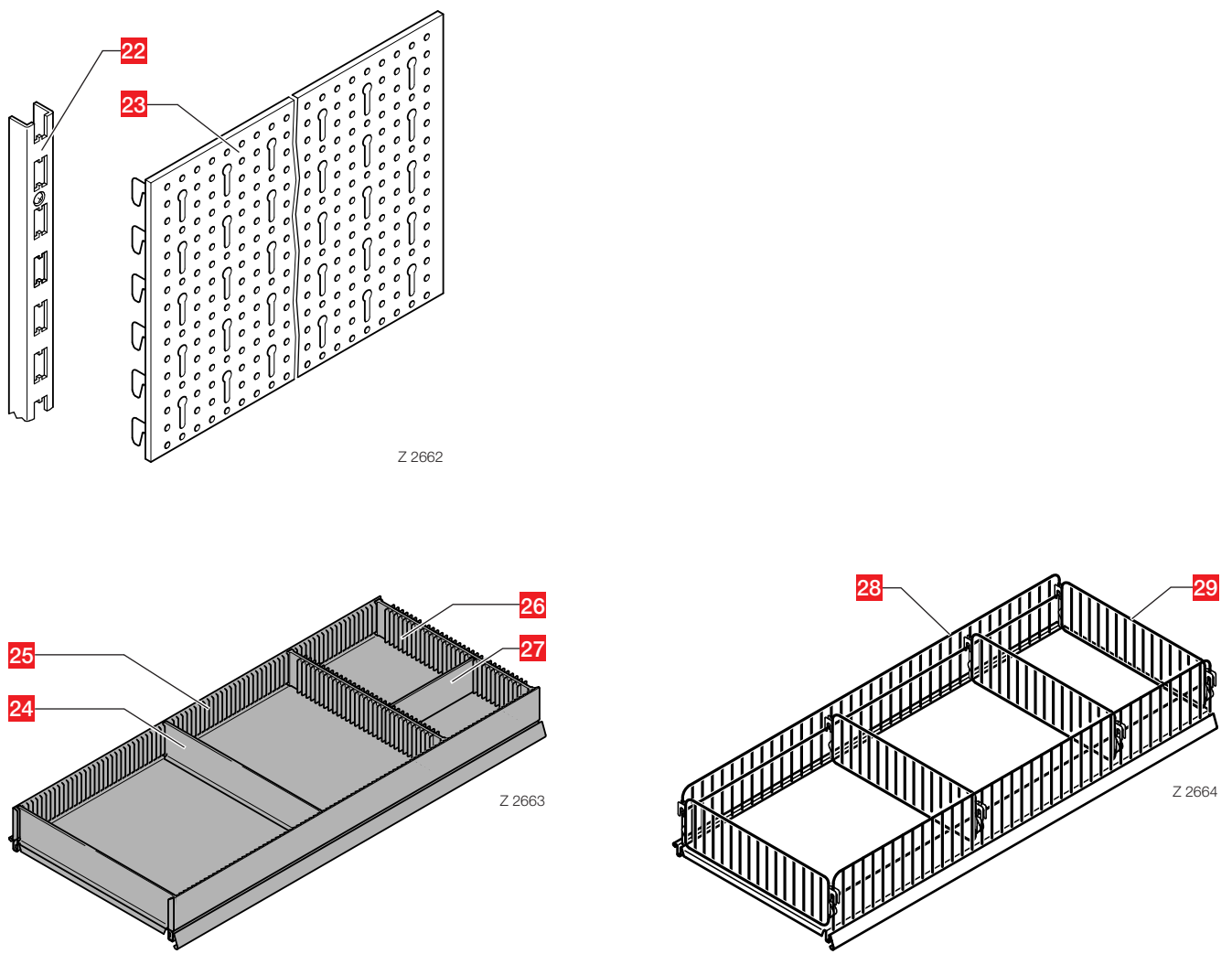
4

5

2.2 Shelving components for internal and external corners

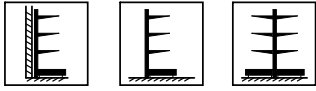


2.3 Accessories

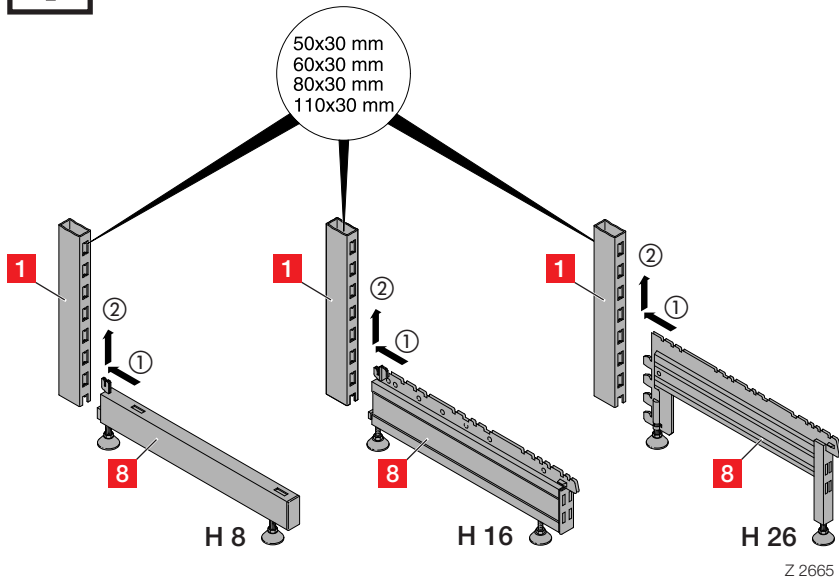


3 Assembly of the basic shelves and gondolas / mobile gondolas

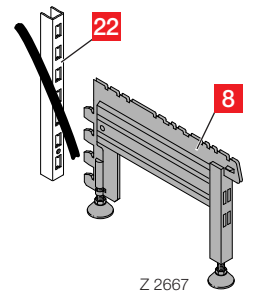
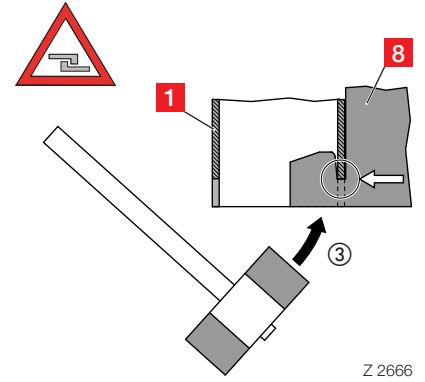
3.1 Connect baselegs with uprights



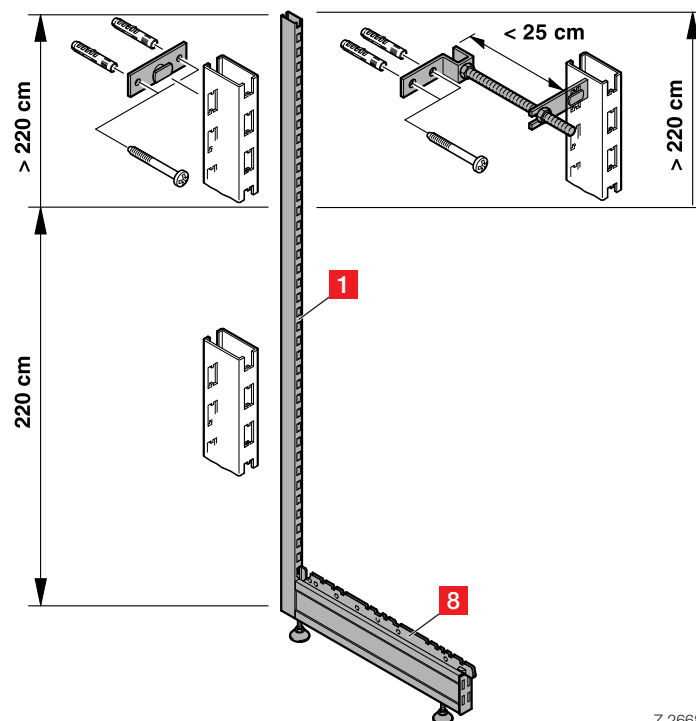
1



2



3.2 Wall fastening



1

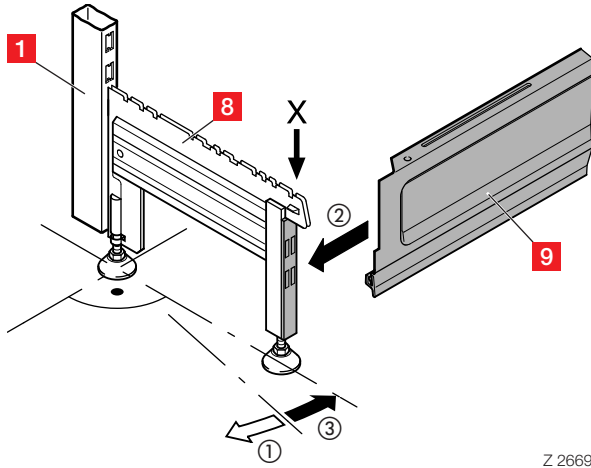
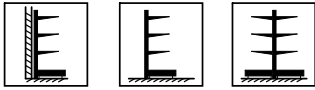
2

3

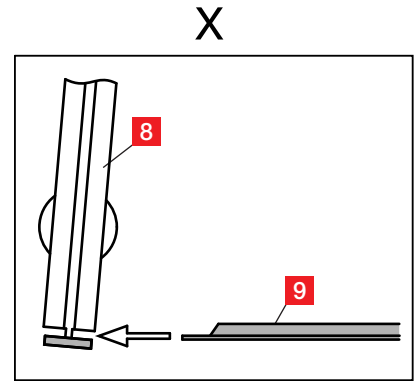
4

5

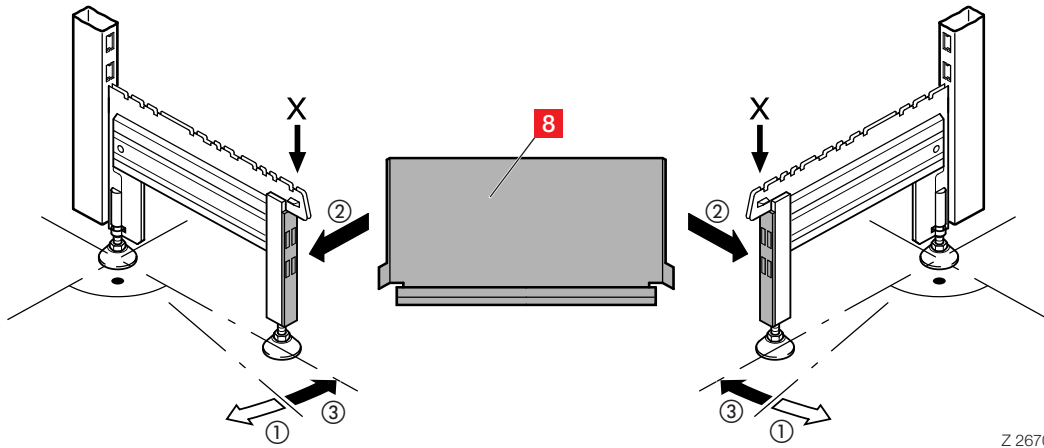
3.3 Fitting plinths



Z 2669

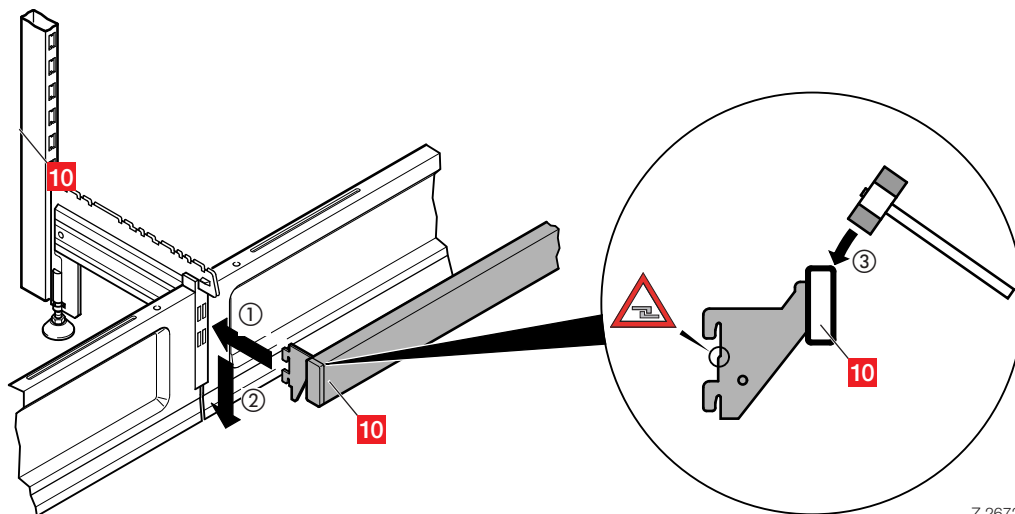


Z 2671



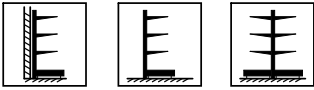
Z 2670

3.4 Attaching crashbar

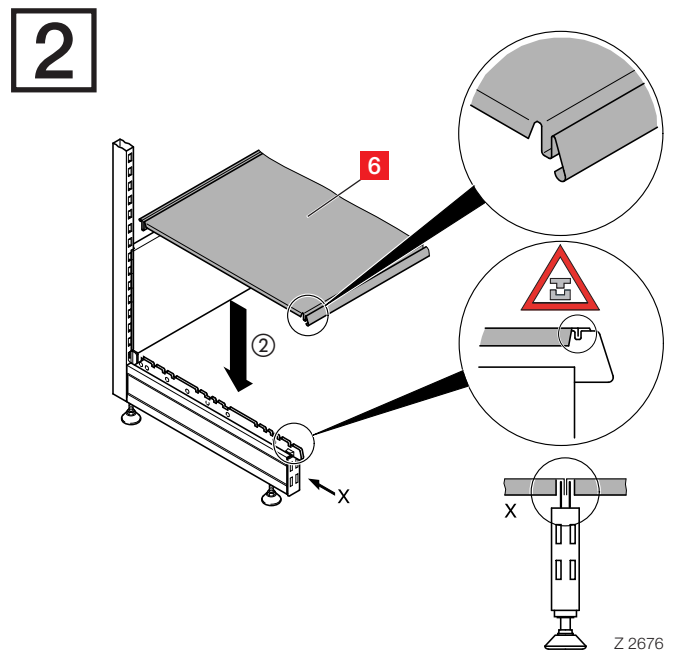
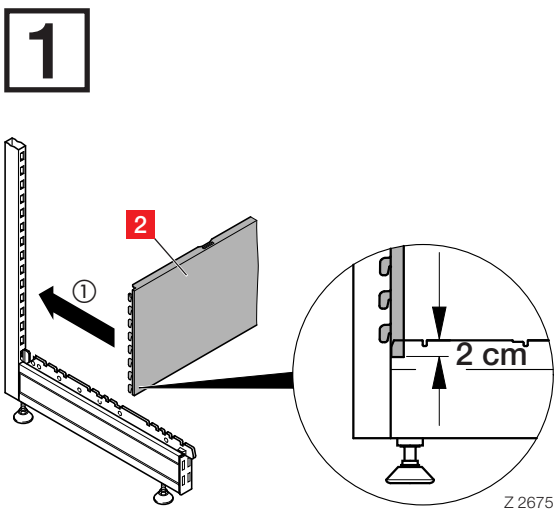
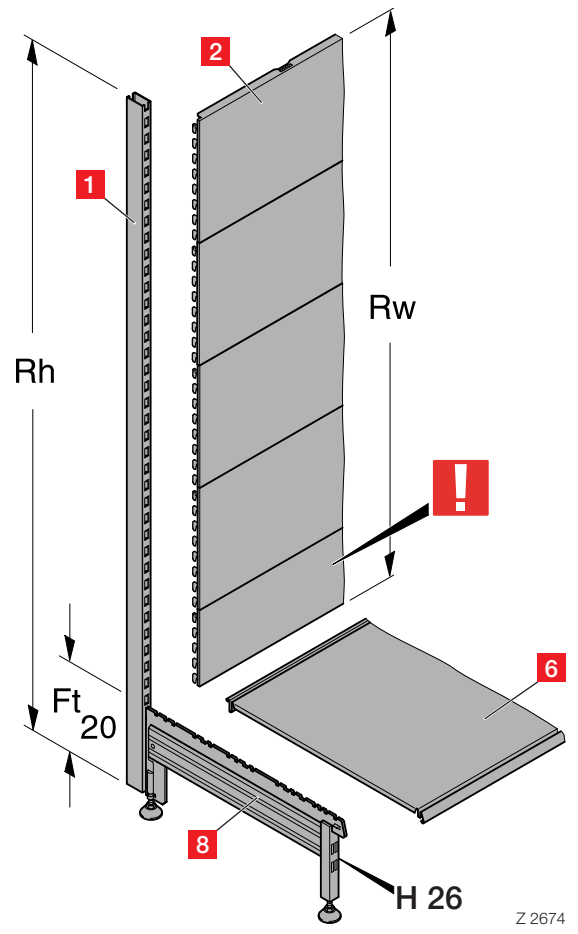
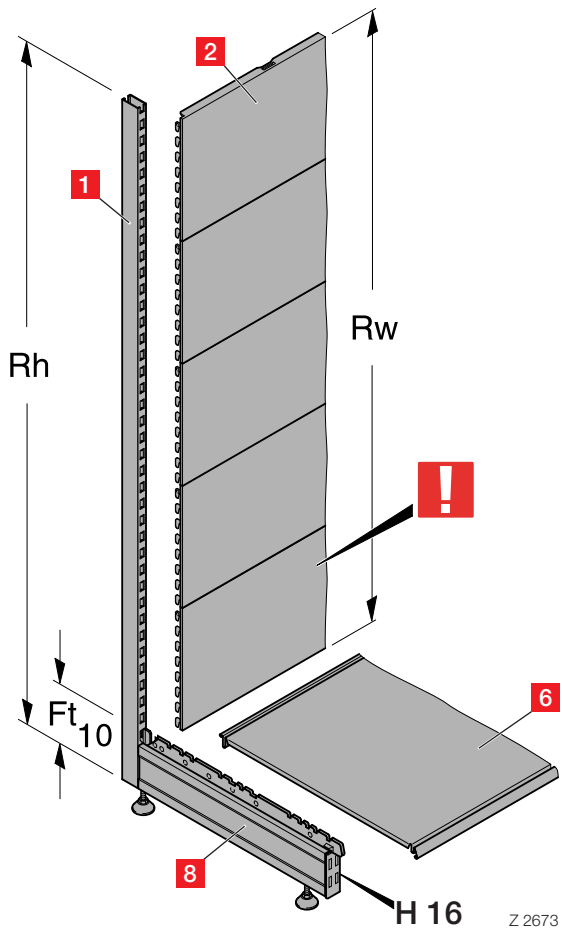


Z 2672

3.5
Rear panel assembly



$$Rw = Rh - Ft$$



1

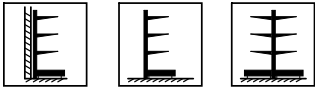
2

3

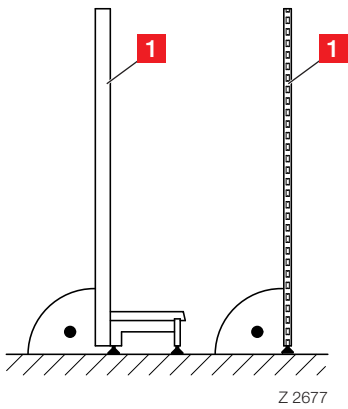
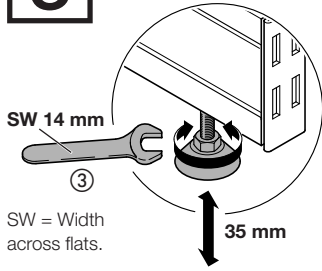
4

5

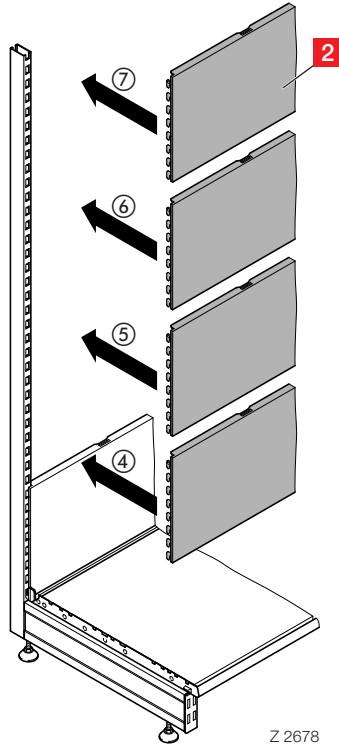
3.5.1 Single-sided rear panel assembly



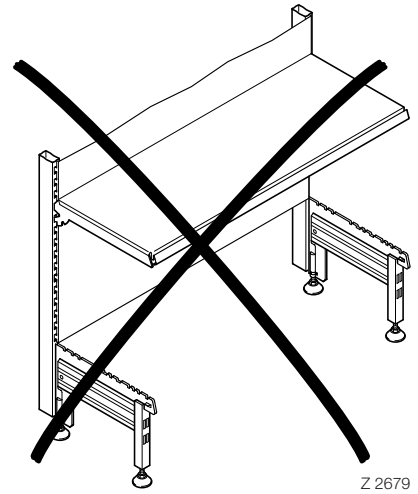
3



Z 2677

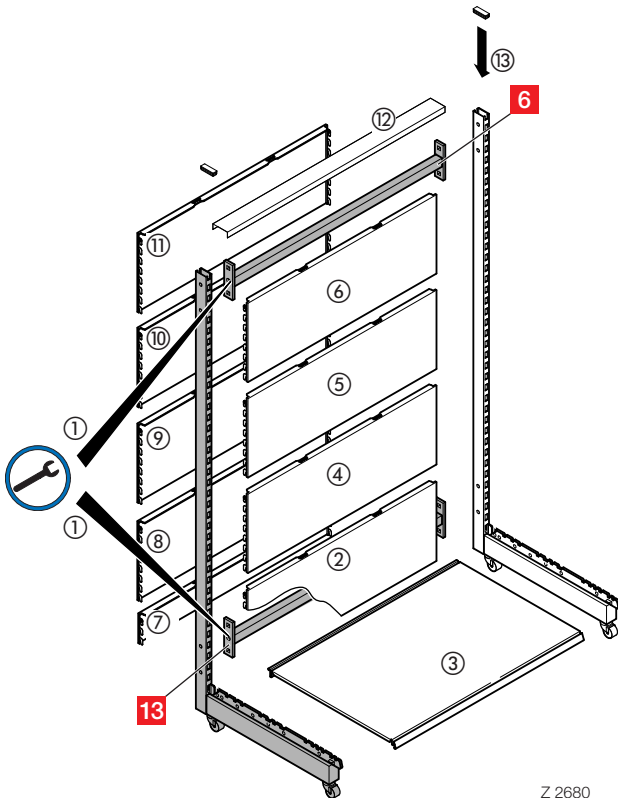
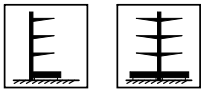


Z 2678

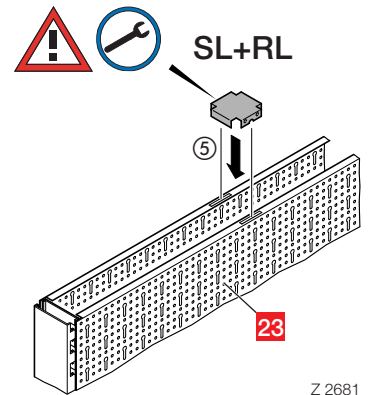


Z 2679

3.5.2 Double-sided rear panel assembly

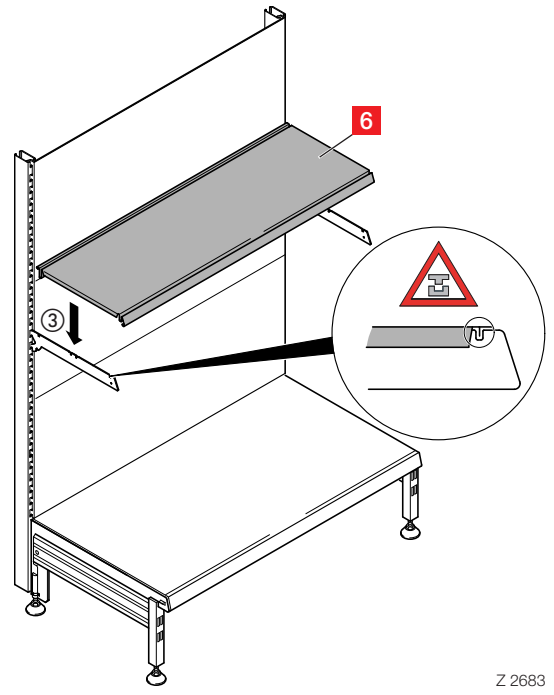
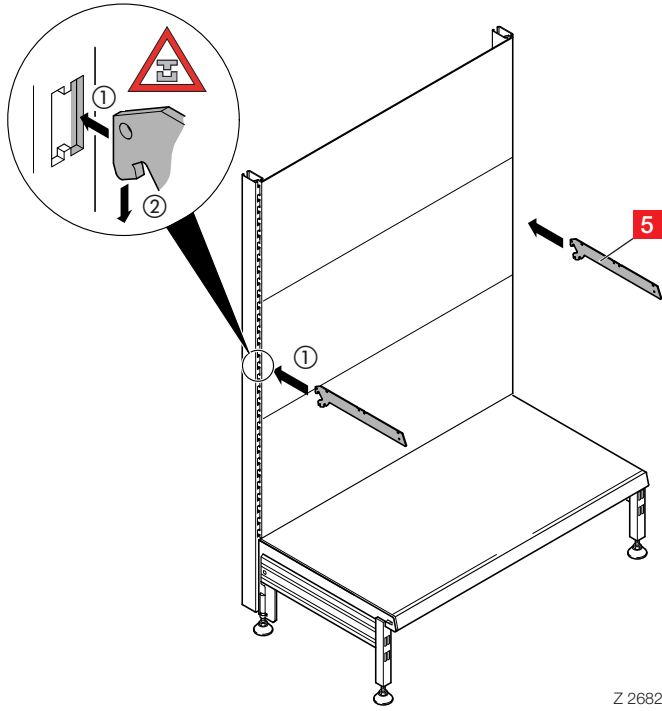
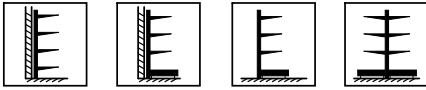


Z 2680

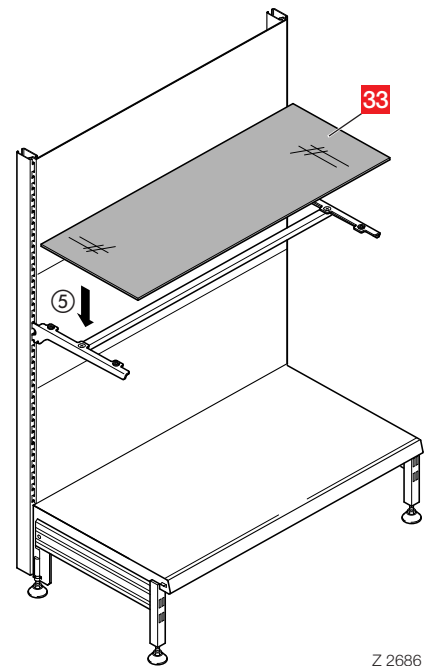
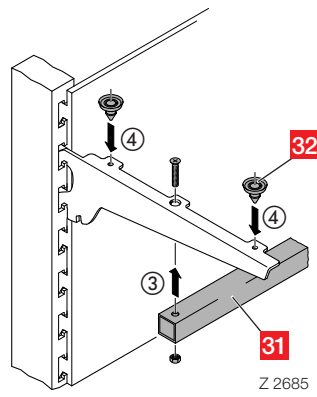
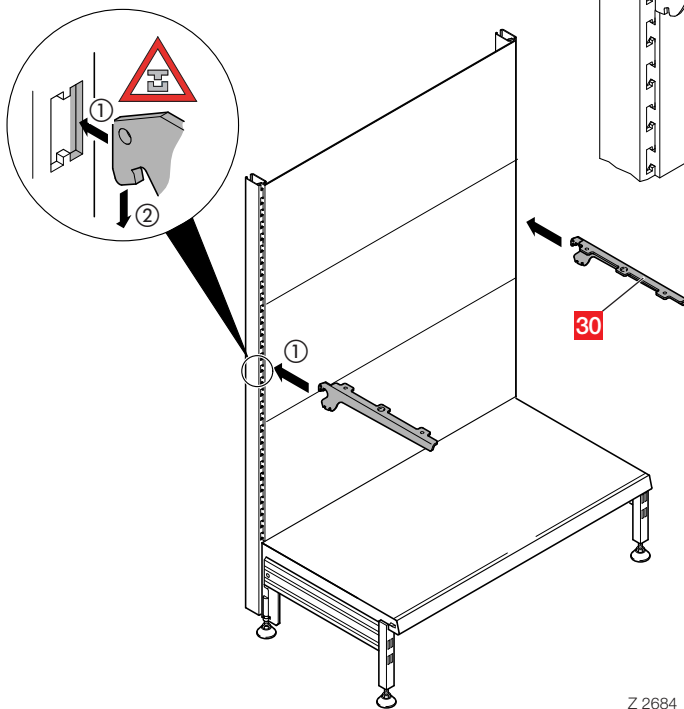
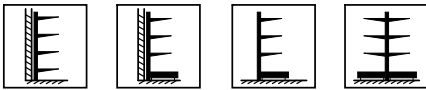


Z 2681

3.6
Shelves



3.7
Glass shelves



1

2

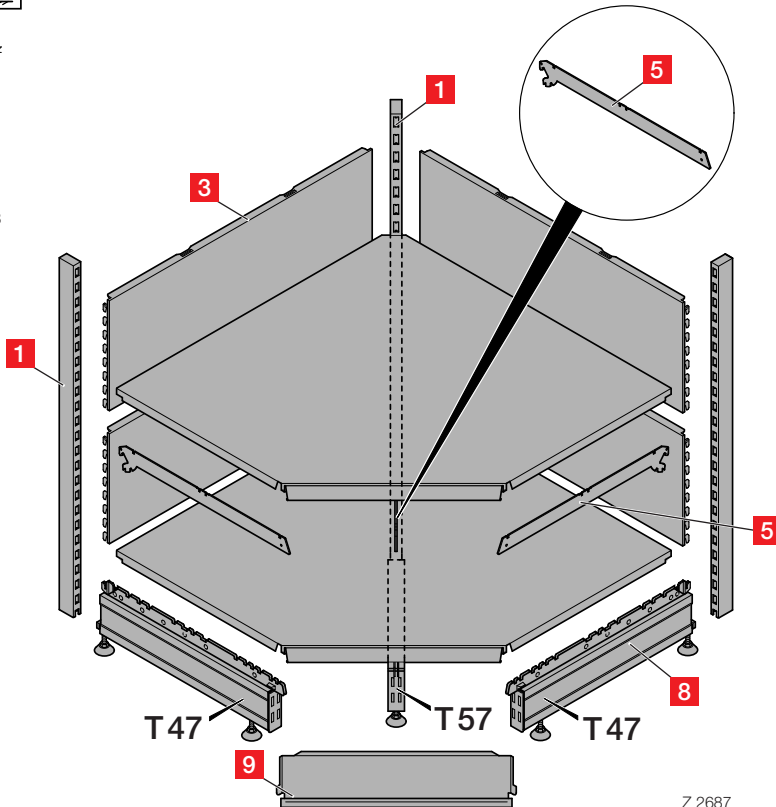
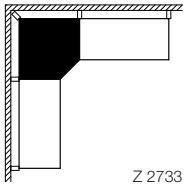
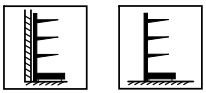
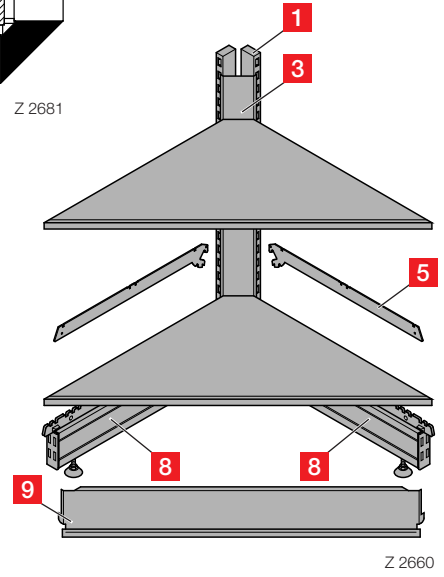
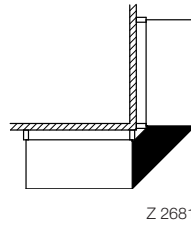
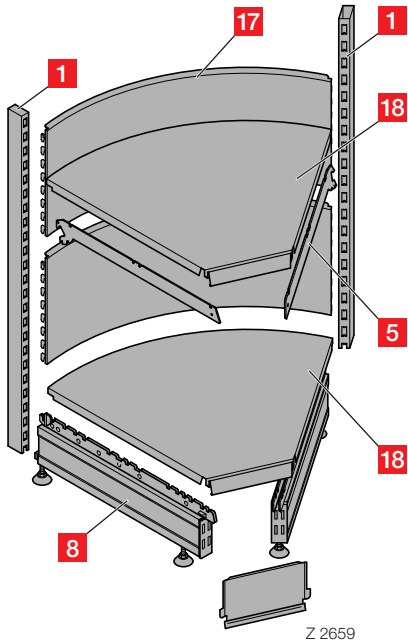
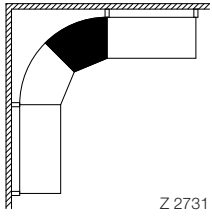
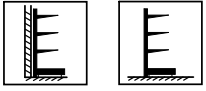
3

4

5

4 **Assembling the corners for basic shelves and gondolas**

4.1 **Internal and external corners**



1

2

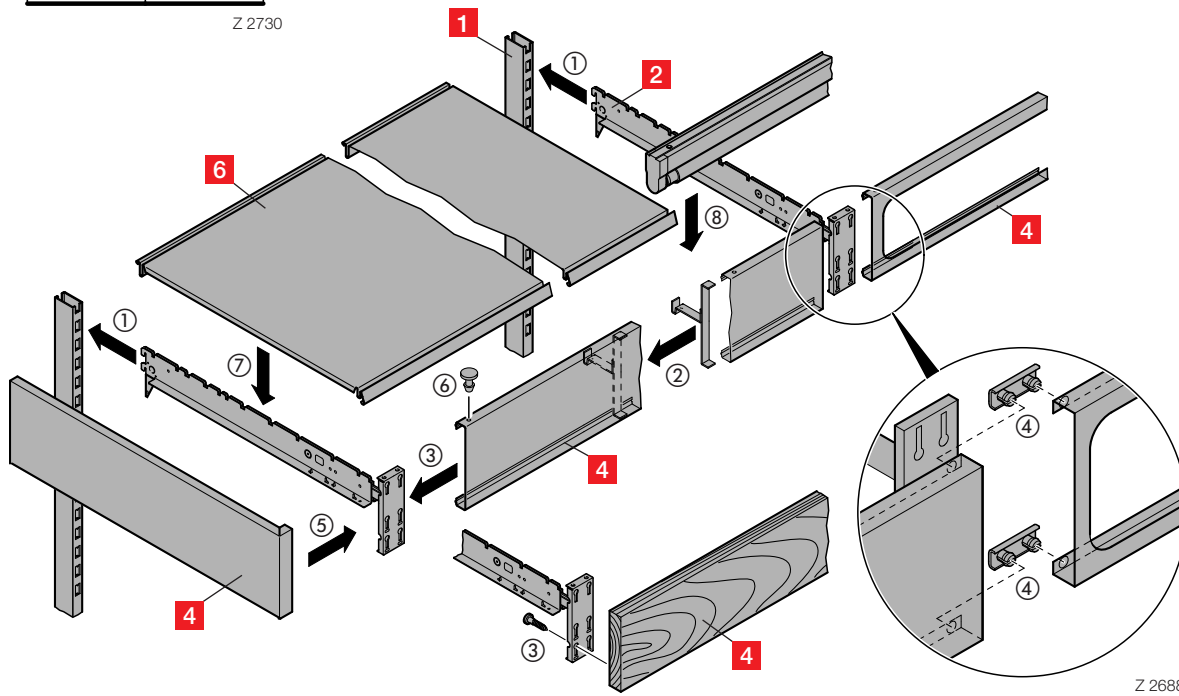
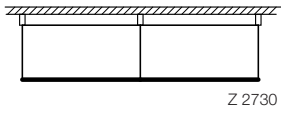
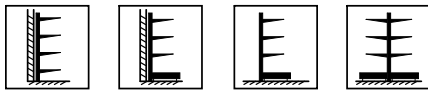
3

4

5

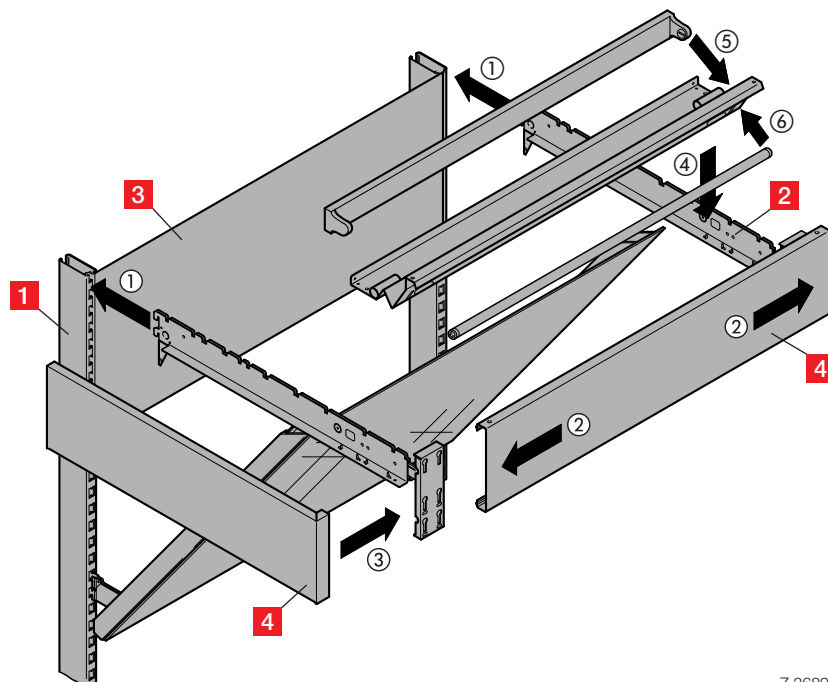
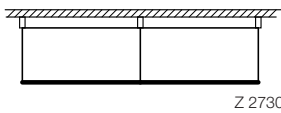
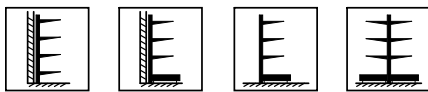
5 Assembling the fascias for basic shelves and gondolas

5.1 Metal and wooden fascias



Z 2688

5.2 Fascias with fitted lights



Z 2689

1

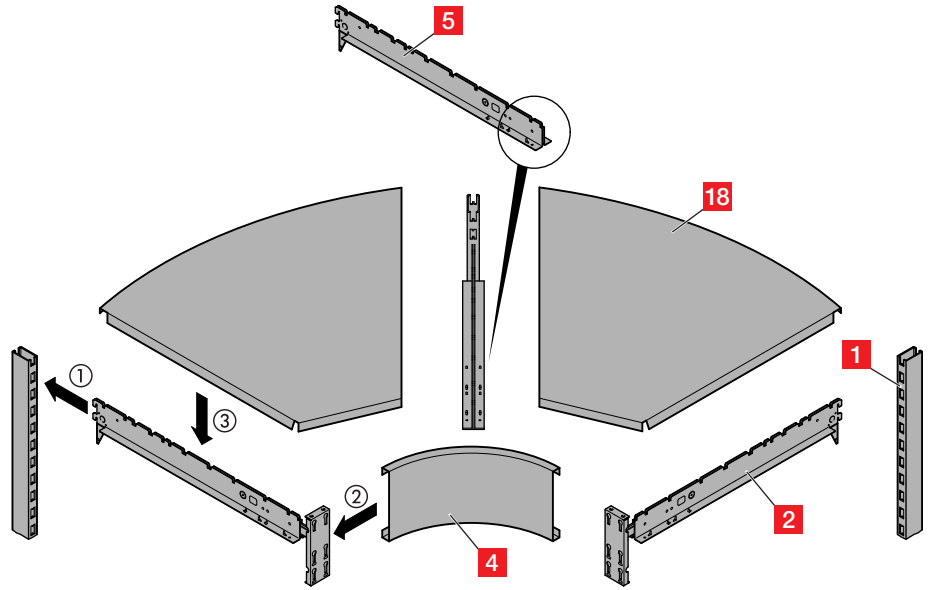
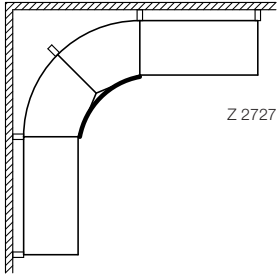
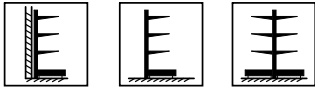
2

3

4

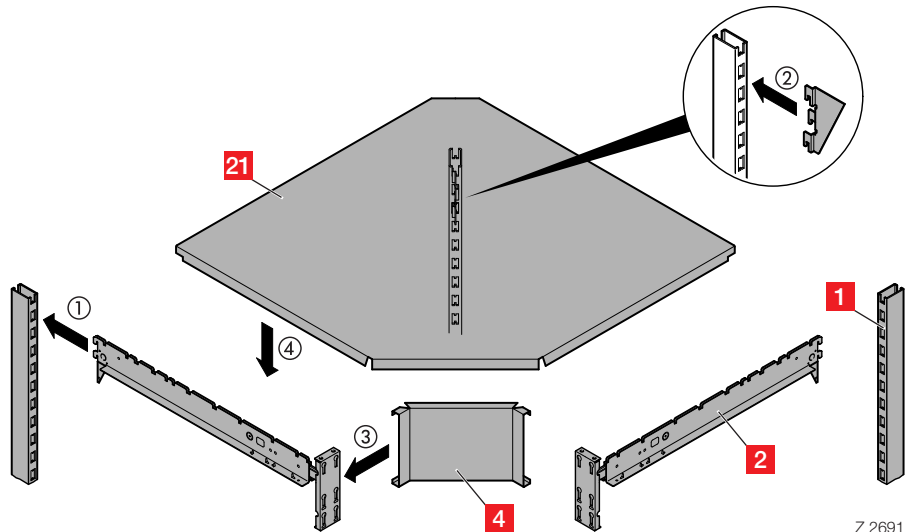
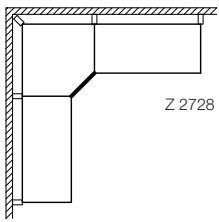
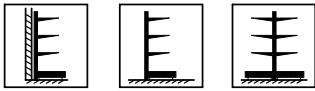
5

5.3 Fascias for internal corners, round



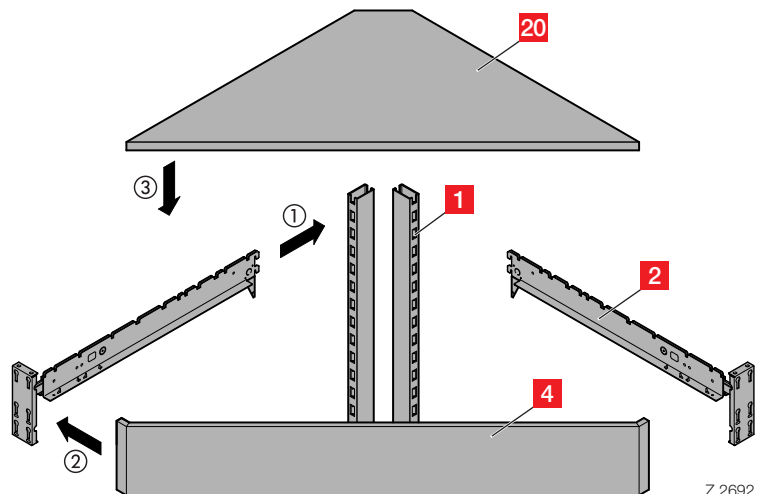
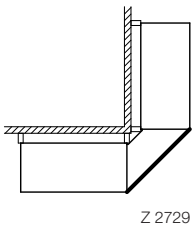
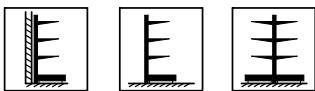
Z 2690

5.4 Fascias for internal corners, 90°



Z 2691

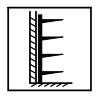
5.5 Fascias for external corners



Z 2692

6 Fitting the wall-mounting uprights

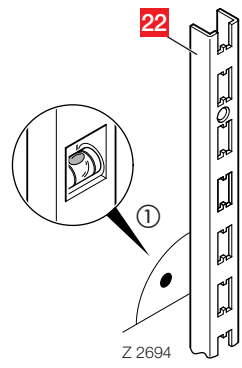
6.1 Wall-mounting uprights



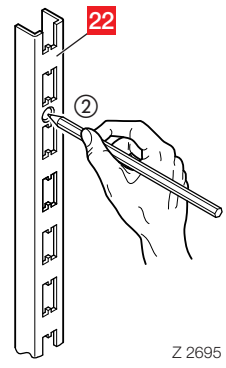
Caution
The wall must be capable of absorbing and holding wall uprights.



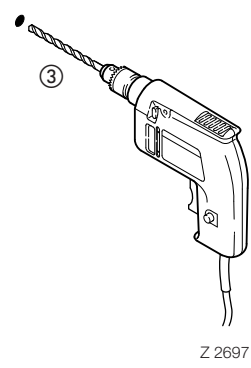
Caution
Note the bay lengths if using system parts.



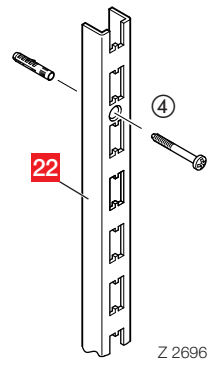
Z 2694



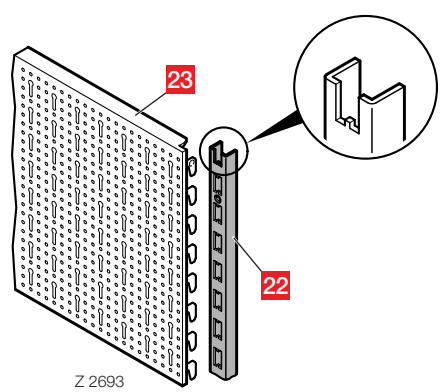
Z 2695



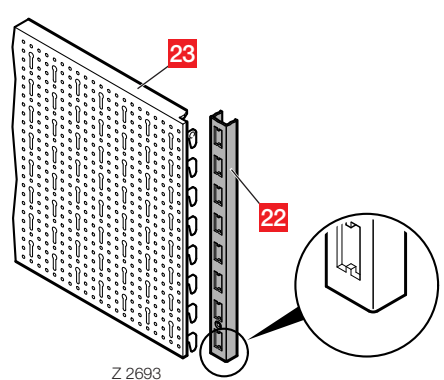
Z 2697



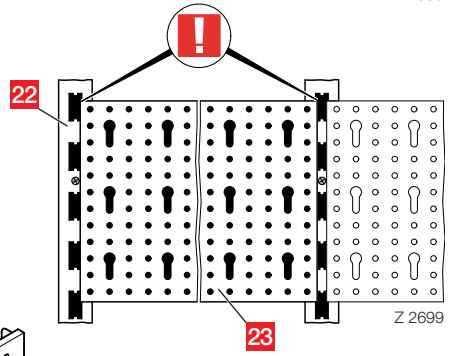
Z 2696



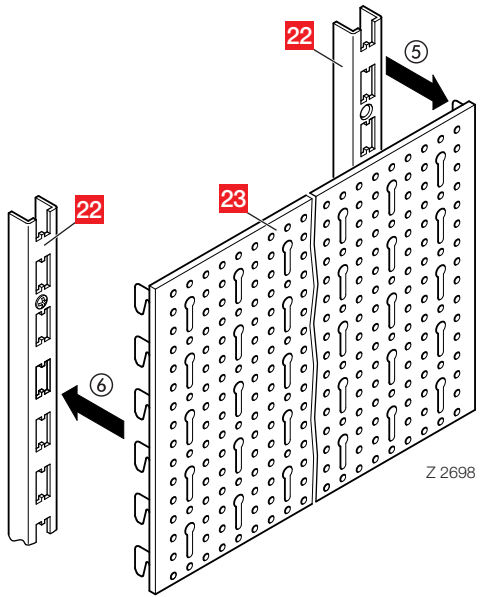
Z 2693



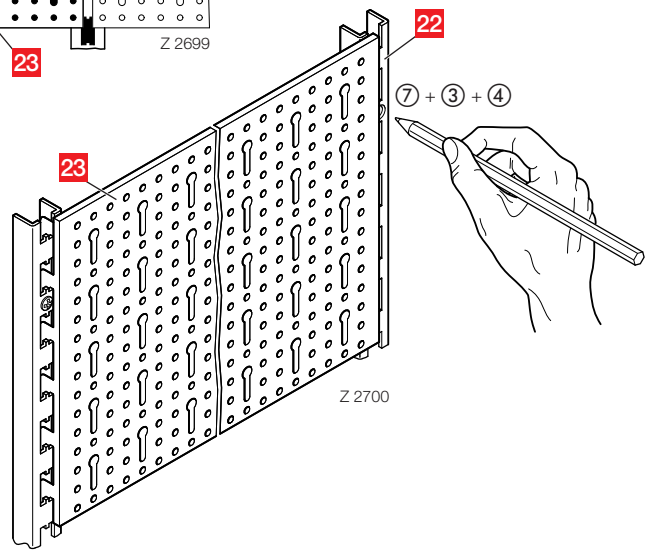
Z 2693



Z 2699



Z 2698



Z 2700

1

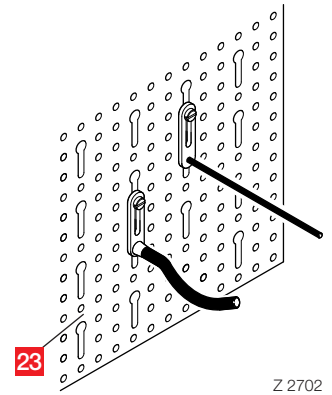
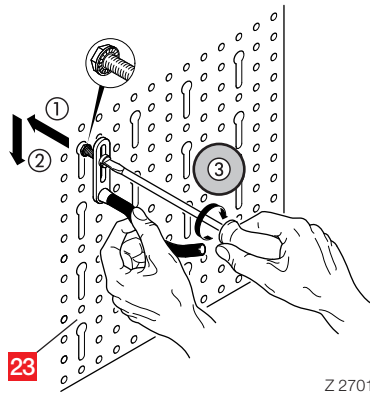
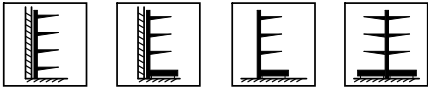
2

3

4

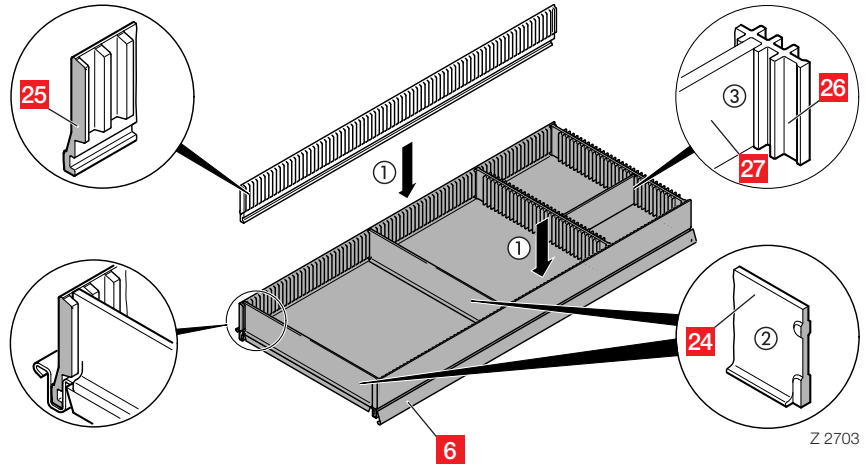
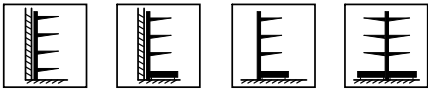
5

6.2 Attaching the holders

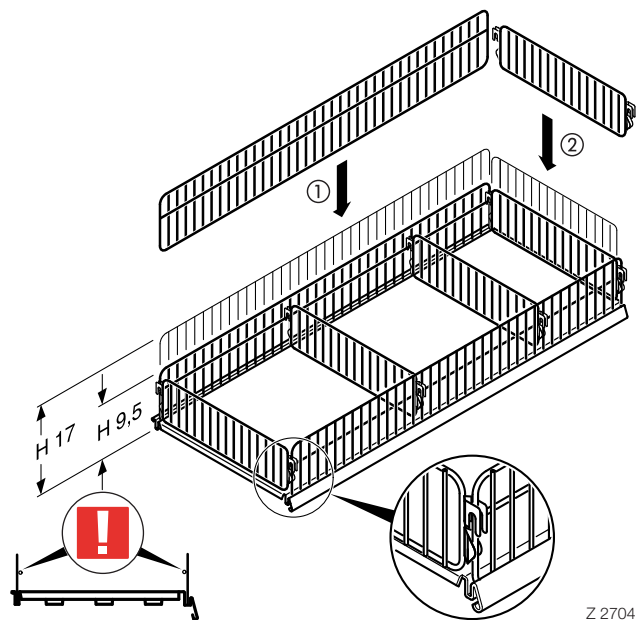
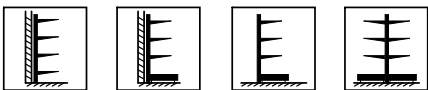


7 Fitting the accessories

7.1 Shelf dividers



7.2 Dividing grids and front grids



1

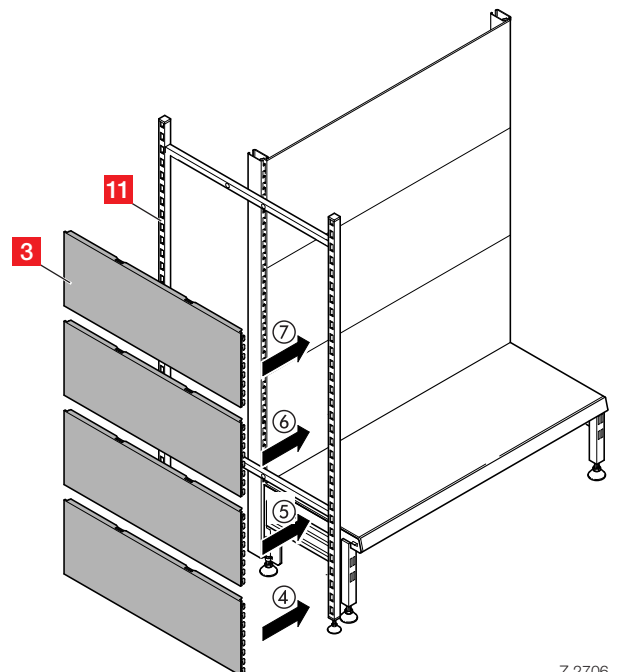
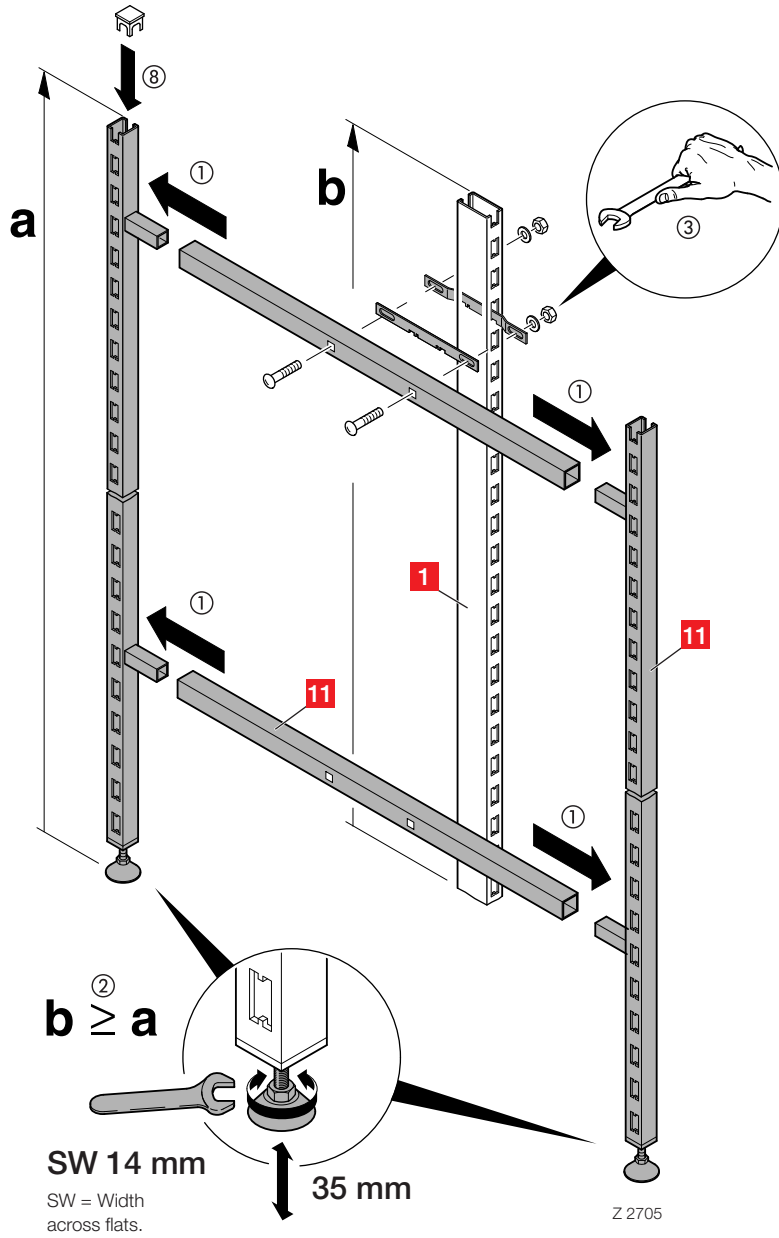
2

3

4

5

7.3 Gondola end, single-sided rear panel



Z 2706

1

2

3

4

5

7.4 Gondola end, double-sided rear panel



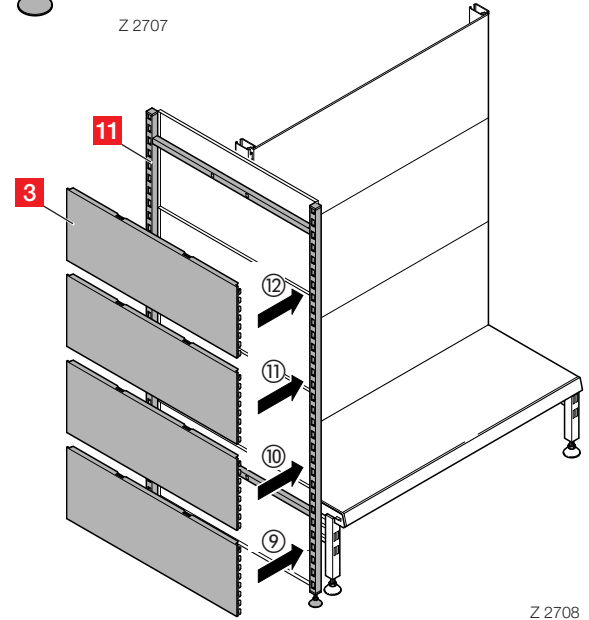
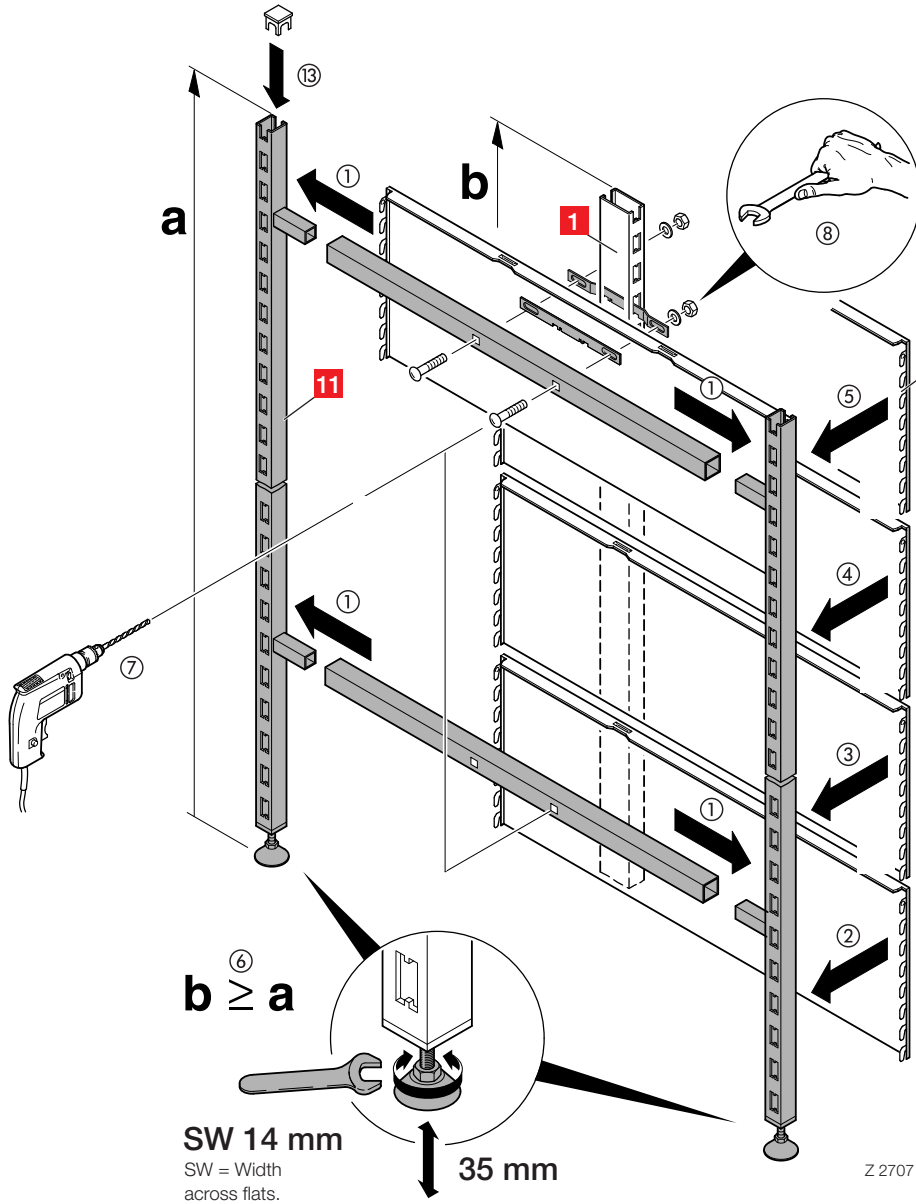
1

2

3

4

5



Chapter 3
Assembly instructions for fruit and vegetable shelf

1 Overview of the components for fruit and vegetable shelves and their function.....24

2 Overview of the shelving components and their function25

2.1 Rear panel assembly.....25

2.2 Mirrors and fascias.....26

2.2.1 1-piece mirror26

2.2.2 2-piece mirror26

2.3 Fruit tray27

2.4 Fruit shelf28

1

2

3

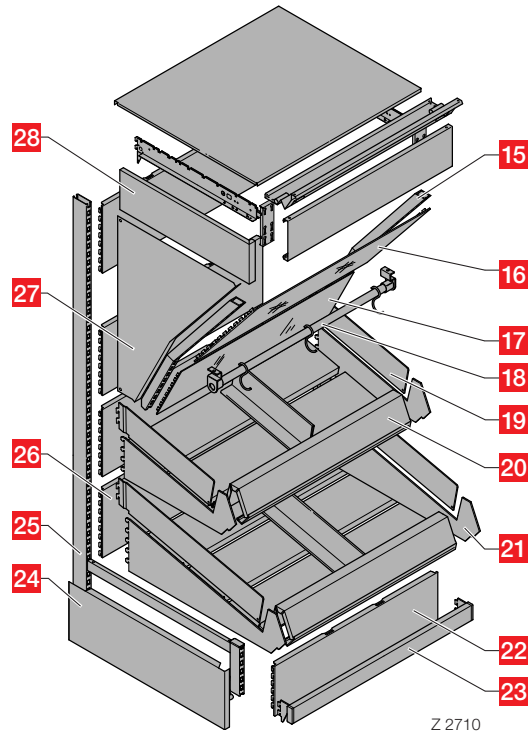
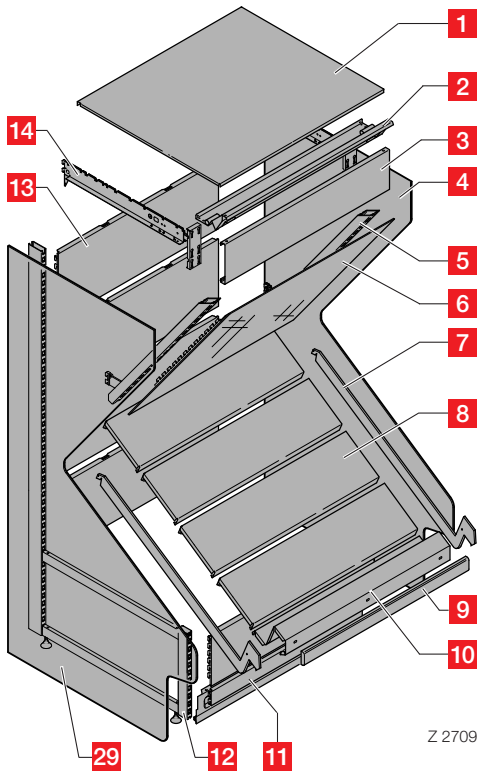
4

5

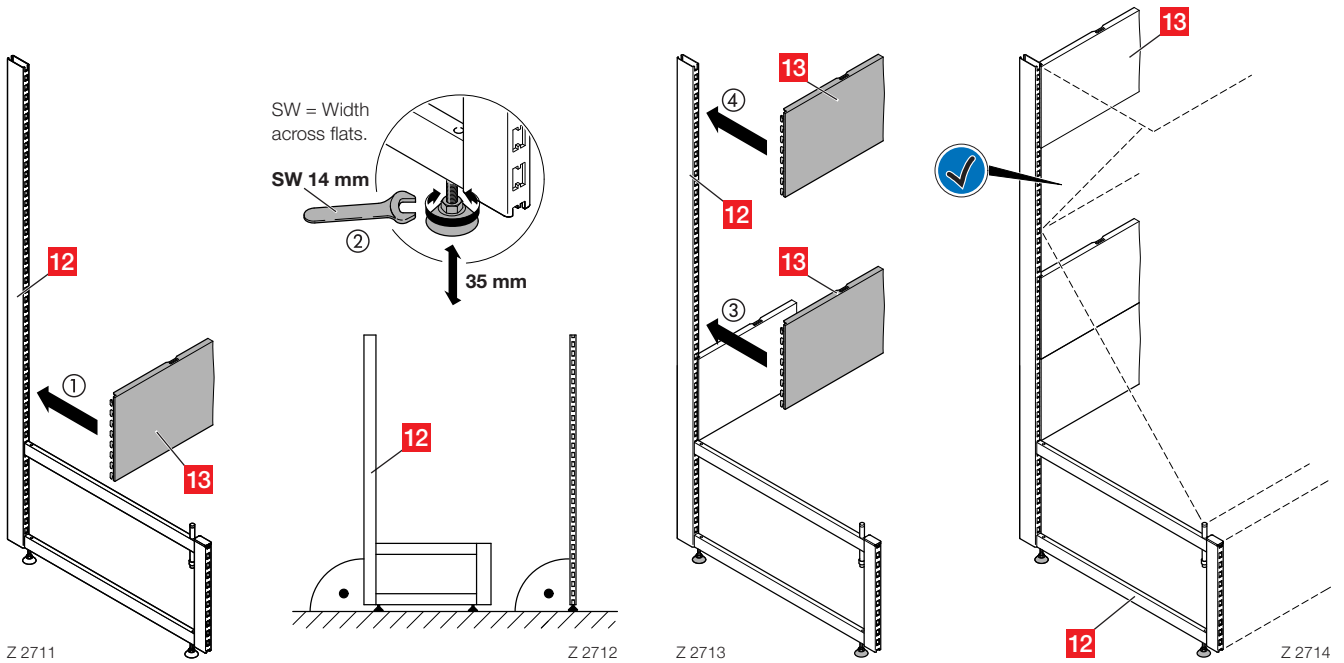
1 Overview of the shelving components for fruit and vegetable shelves and their function

- 1 Soffit – covers top opening.
- 2 Lower soffit, slant shaped – for holding the lighting.
- 3 Fascia – for top front.
- 4 Side panel for fruit shelf with large trough side cover.
- 5 Mirror holder – for fixing 1-piece mirror.
- 6 Mirror.
- 7 Bracket for large trough.
- 8 Shelf element for fruit tray.
- 9 Crashbar – protects the shelving from being hit by shopping trolleys.
- 10 Front profile for large trough.
- 11 Fascia rear panel.
- 12 Stand for fruit shelf with large trough.
- 13 Rear panel.
- 14 Fascia bracket for fruit shelf.
- 15 Mirror holder – for fixing 2-piece mirror.
- 16 Mirror, top part.
- 17 Mirror, bottom part.
- 18 Banana rod for fruit shelf.
- 19 End plate for fruit tray.
- 20 Front profile for fruit tray.
- 21 Bracket for fruit tray.
- 22 Rear panel – for front facing.
- 23 Crashbar – protects the shelving from being hit by shopping trolleys.
- 24 Side fascia panel.
- 25 Stand for fruit shelf.
- 26 Rear panel.
- 27 Facing side plate – side end piece.
- 28 Fascia return for top fascia.
- 29 Side panel.

2
Overview of the shelving components and their function



2.1
Rear panel assembly



1

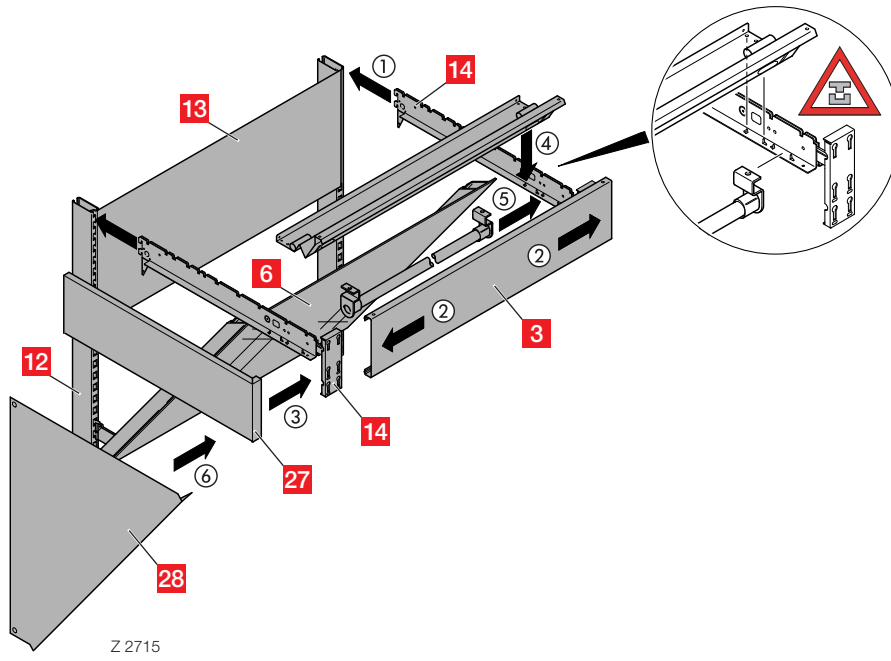
2

3

4

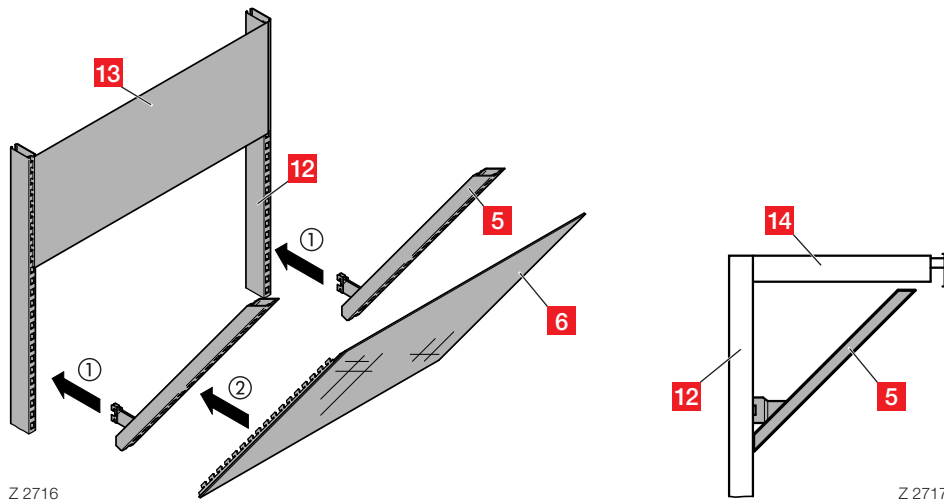
5

2.2 Mirrors and fascias



Z 2715

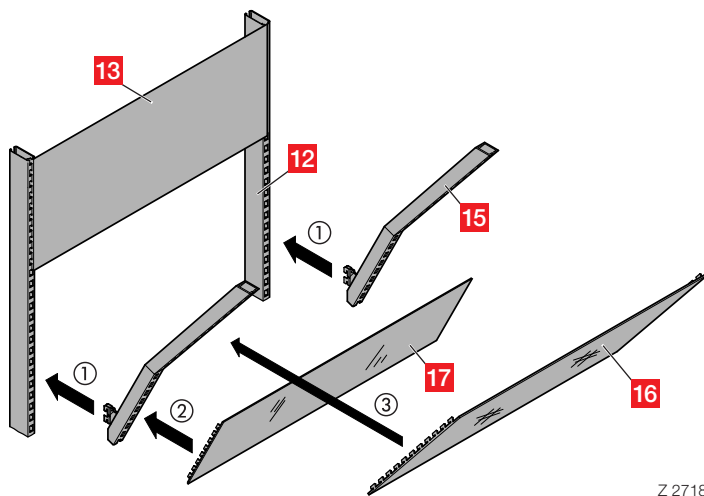
2.2.1 1-piece mirror



Z 2716

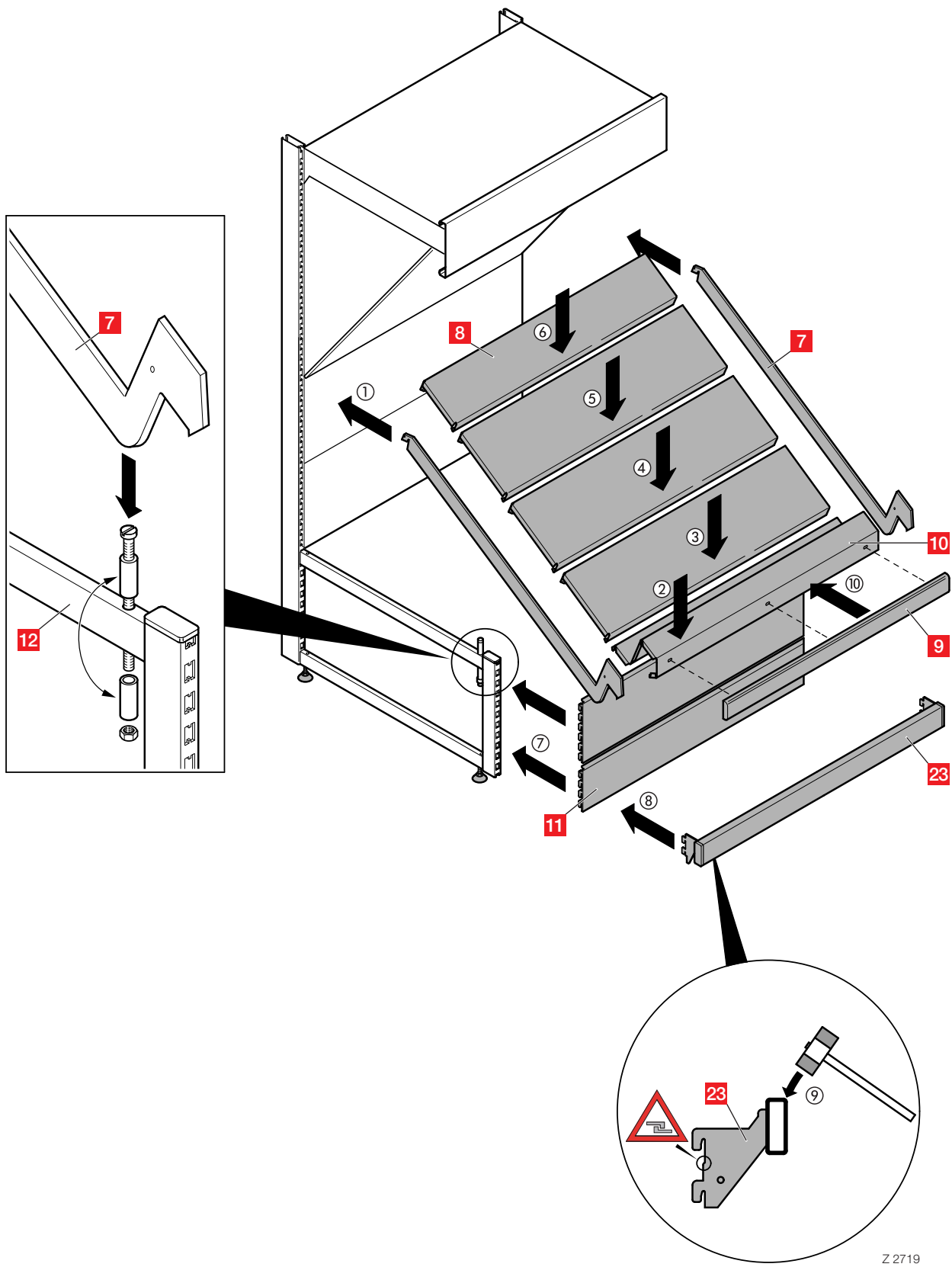
Z 2717

2.2.2 2-piece mirror



Z 2718

2.3 Fruit tray

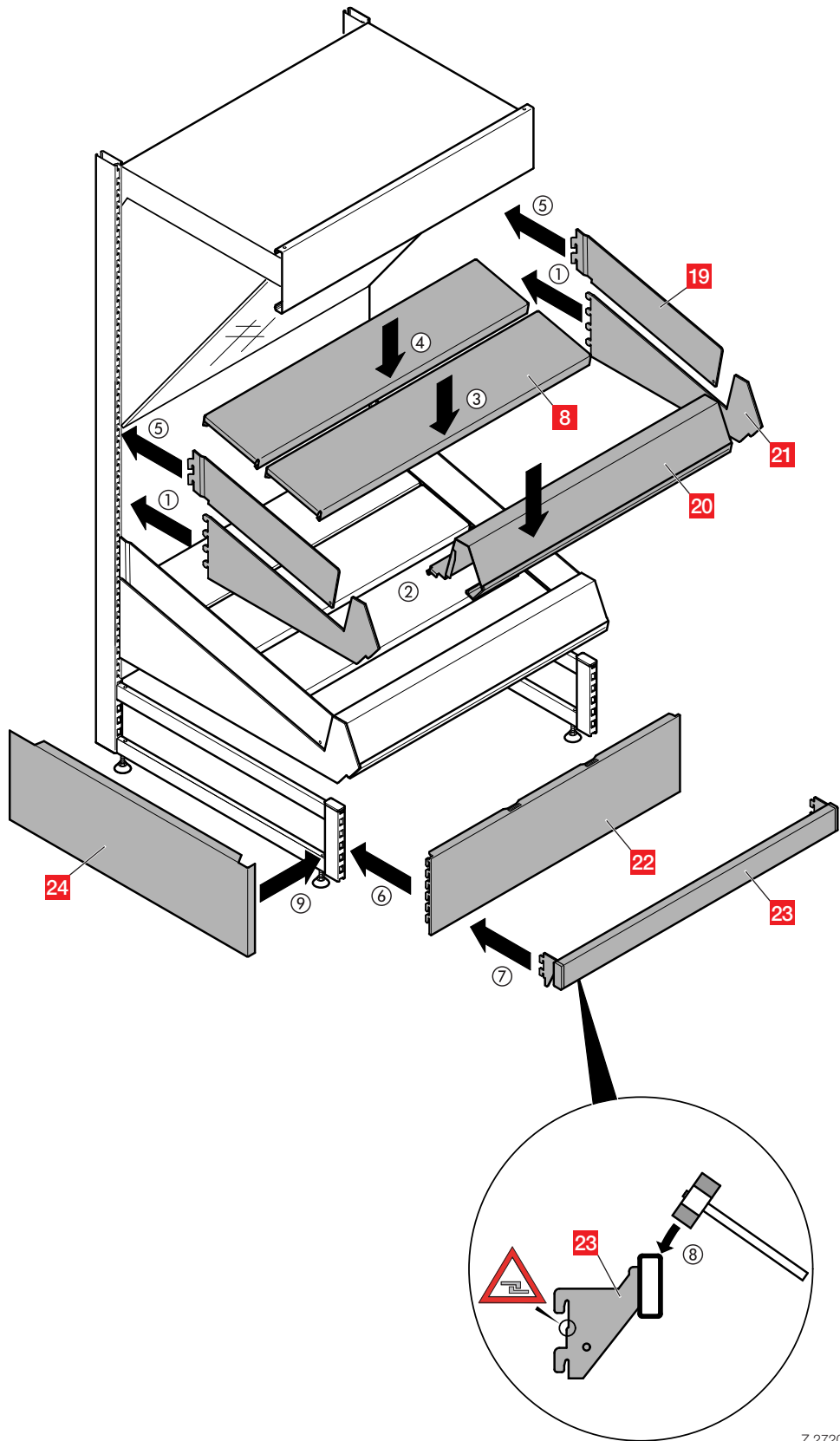


- 1
- 2
- 3
- 4
- 5

Z 2719

3 Assembly instructions for fruit and vegetable shelf

2.4 Fruit shelf



Z 2720

Chapter 4

Assembly instructions for fruit gondola with one or two shelves

1 Overview of the fruit gondola shelving components and their function	30
1.1 Fruit gondola with one shelf	31
1.2 Fruit gondola with two shelves	31
2 Views of the fruit gondola shelving components and their function	32
2.1 Fruit gondola with one shelf	32
2.2 Fruit gondola with two shelves	33

1

2

3

4

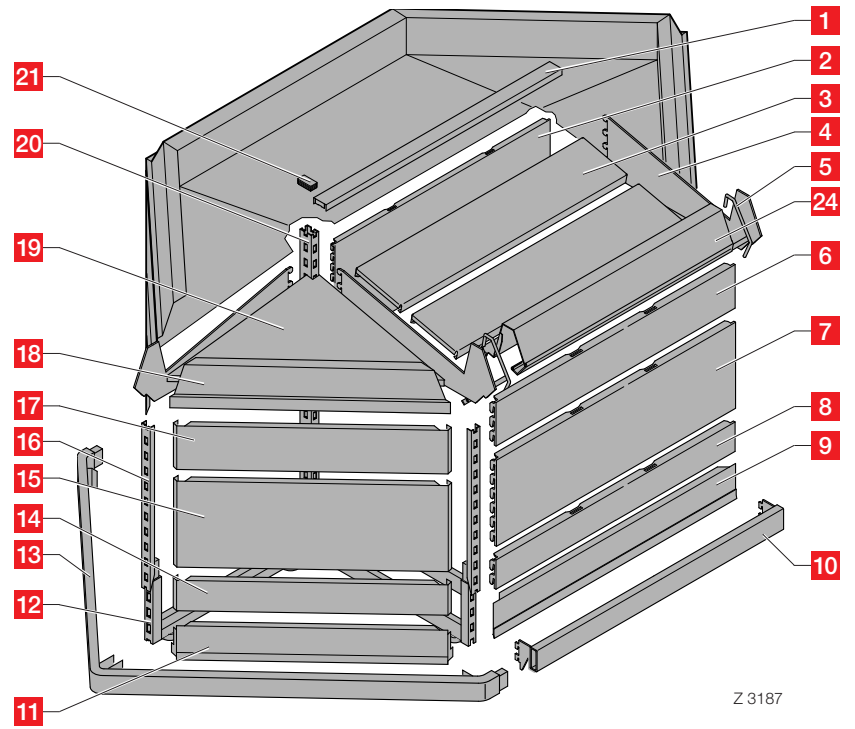
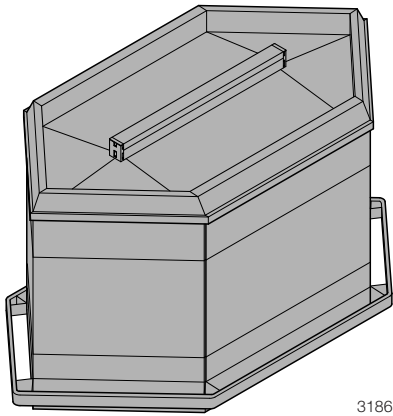
5

1

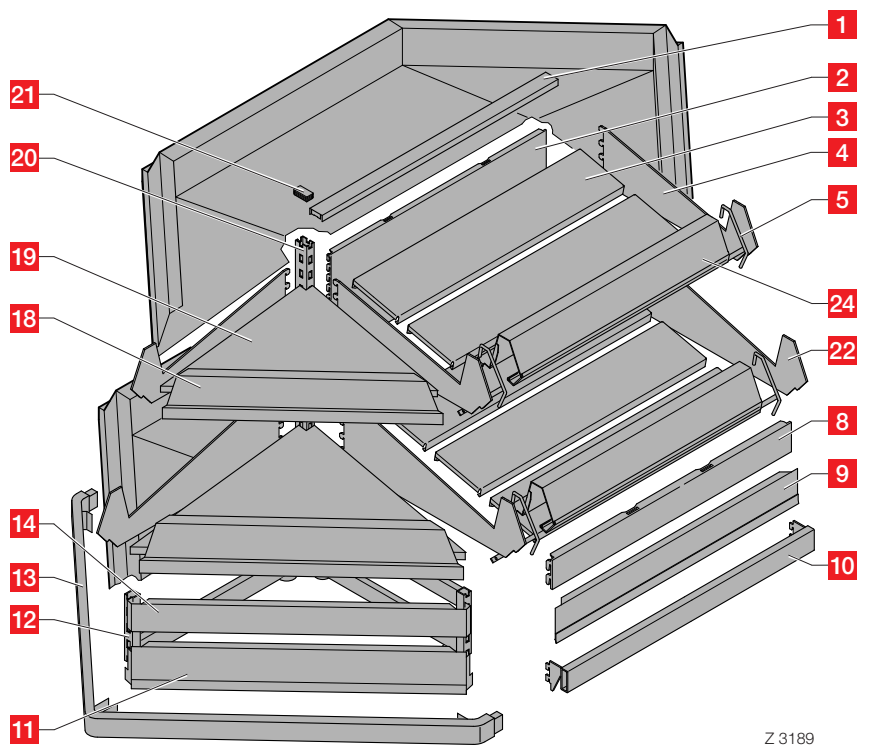
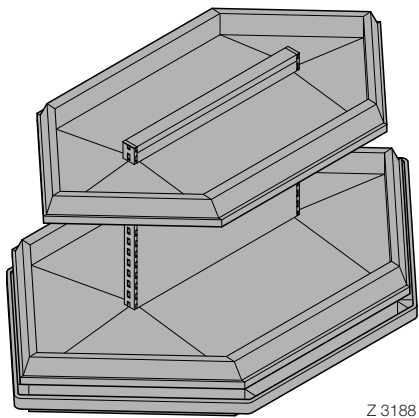
Overview of the fruit gondola shelving components and their function

- 1 Gondola cover strip.
- 2 Rear panel.
- 3 Shelf element for fruit tray.
- 4 Bracket for fruit tray, top.
- 5 Corner facing for fruit gondola.
- 6 Rear panel H 20.
- 7 Rear panel H 30.
- 8 Fascia rear panel H 10.
- 9 Plinth.
- 10 Crashbar – protects the shelving from being hit by shopping trolleys.
- 11 Plinth.
- 12 Baseleg for fruit gondola.
- 13 Crashbar for fruit gondola external corner – protects the shelving from being hit by shopping trolleys.
- 14 Rear panel for fruit gondola external corner H 10.
- 15 Rear panel for fruit gondola external corner H 30.
- 16 Upright extension for fruit gondola.
- 17 Rear panel for fruit gondola external corner H 20.
- 18 Front profile for fruit gondola external corner.
- 19 Shelf element for fruit gondola external corner.
- 20 Stand for fruit gondola.
- 21 Top cap for stand.
- 22 Bracket for fruit tray, bottom.
- 23 Rear panel safeguard.
- 24 Front profile for fruit gondola.

1.1
Fruit gondola with one shelf



1.2
Fruit gondola with two shelves



1

2

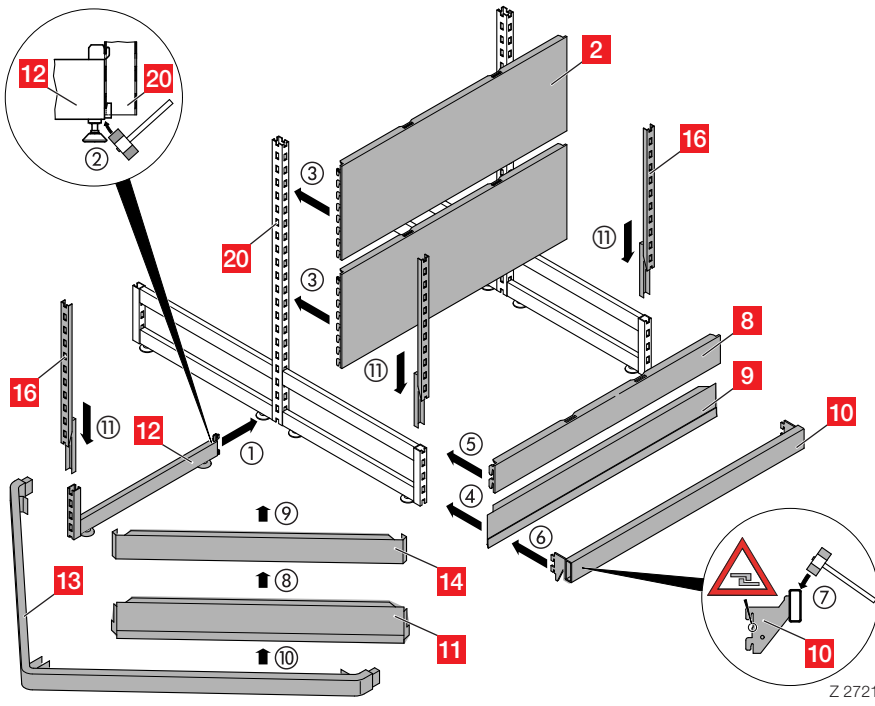
3

4

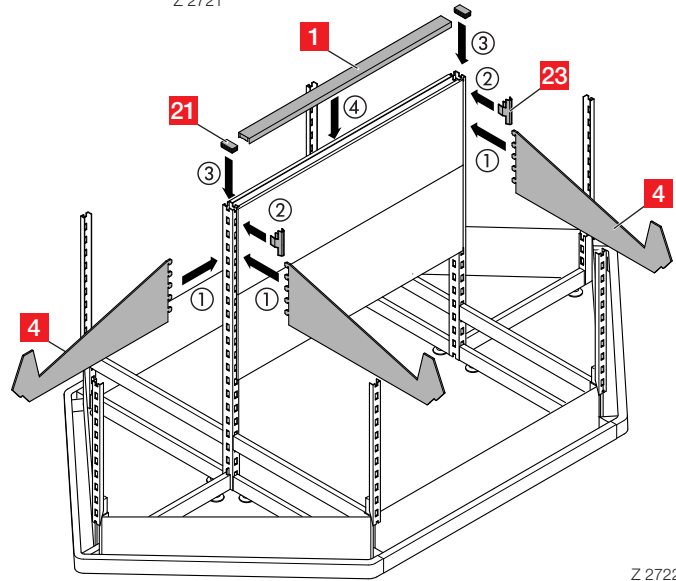
5

2 Views of the fruit gondola shelving components and their function

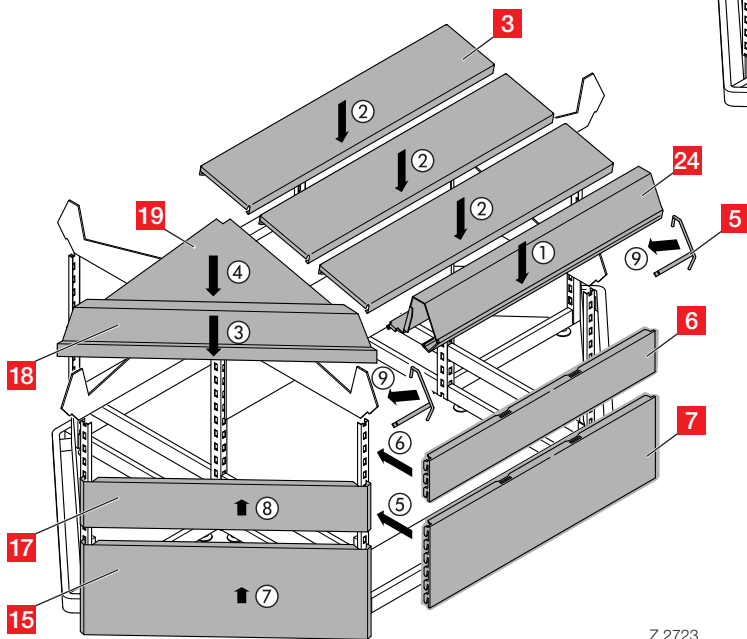
2.1 Fruit gondola with one shelf



Z 2721



Z 2722



Z 2723

1

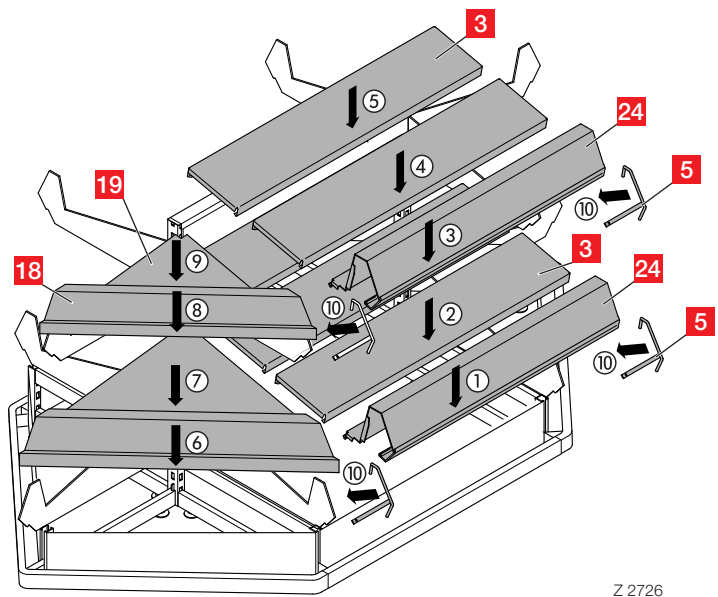
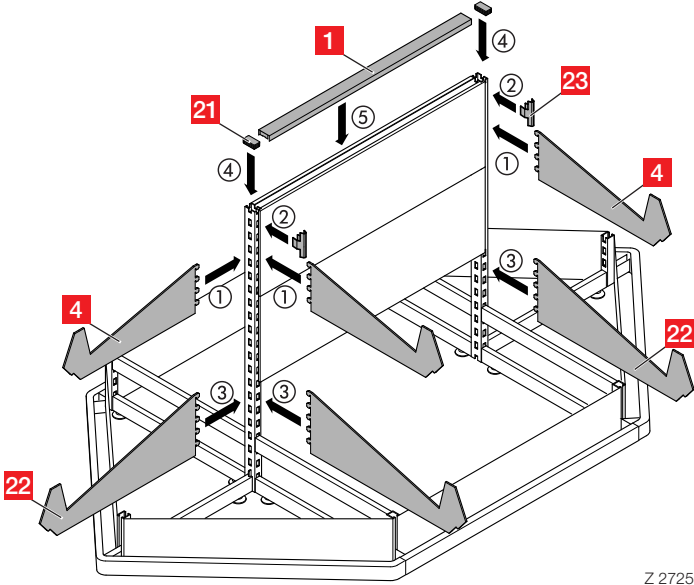
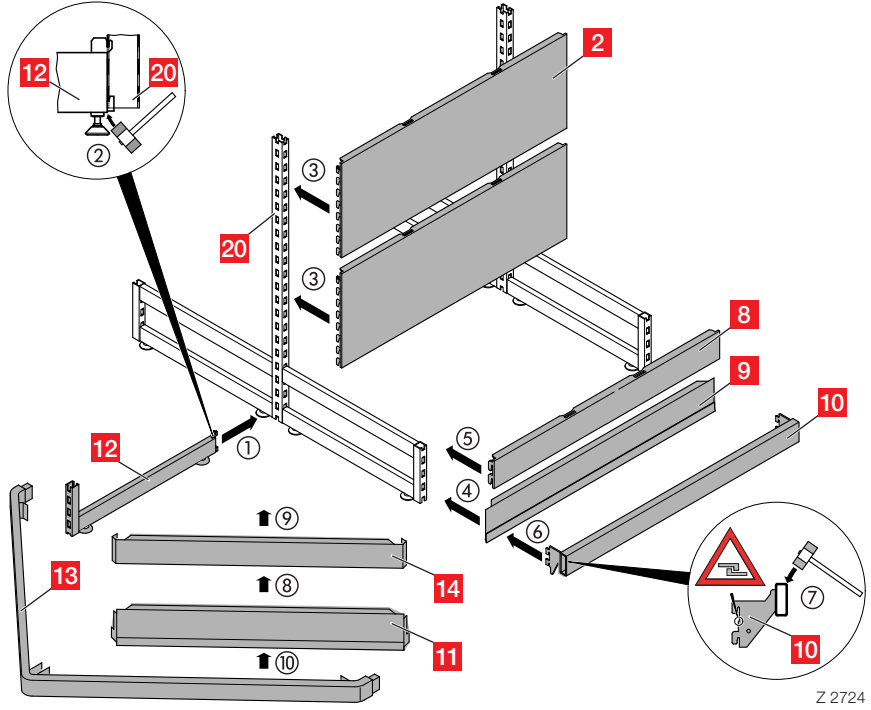
2

3

4

5

2.2 Fruit gondola with two shelves



Chapter 5
Permissible loads

1	Permissible loads for wall-mounted shelves and gondolas	36
2	Permissible load for shelves on brackets	36
3	Permissible load for shelves on baselegs	36
4	Permissible load of the shelves – maximum loading capacity – on extra heavy shelf brackets 4 hooks or baselegs	37
5	Permissible load of grid shelves on brackets or baselegs	37
6	Permissible load for baselegs H 8 for wall-mounted shelf stands and gondolas	38
7	Permissible load for baseleg H 16 and H 26 for wall-mounted shelf stands and gondolas	38

1

2

3





4

5

1 Permissible loads for wall-mounted shelves and gondolas



- Uniformly distributed loading over the whole shelf is required.
- The permissible stand loads can be increased by wall fixings, if the means of fixing and wall are able to safely absorb and transfer the resulting additional loads. This must be checked on site.
- Equipping the shelf stands with shelf load reducing upwards.
- Ensure that all push-on connections are properly fitted.
- The shelf must not be subjected to impact loads.
- If the shelf's maximum loading capacity is utilised, the top back panels must be secured against uplift using the back panel safeguard 107154.
- If no load information is available or special load requirements exist, please contact our technical department.
- If both sides are loaded (gondola) the same loads can be applied on the right and left as for wall-mounted shelves.
- The loads of the baseleg shelves are given in Table 2.
- The uprights of wall-mounted shelves must be fixed with wall fixings from a height of 220 cm.

2 Permissible load for shelves on brackets

		Permissible load per shelf in daN \triangle kg (Loading information for shelf brackets is only valid in conjunction with rectangular uprights)														
Support type		Bracket 2 H  Z 1596				Bracket 3 H  Z 1597		Extra heavy brackets 3 H  Z 1426				Extra heavy brackets 4H  Z 1425				
Shelf depth in cm		T 25	T 30	T 37	T 47	T 47	T 57	T 37	T 47	T 57	T 67	T 37	T 47	T 57	T 67	T 77
Bay length in cm	66,5	120	110	100	90	170	150	230	230	180	160	230	325	255	230	200
	100	120	110	100	90	170	150	200	230	180	160	200	290	255	230	200
	125	120	110	100	90	170	150	155	230	180	160	155	260	255	230	200
	133	120	110	100	90	170	150	140	230	180	160	140	230	250	230	200

Tab. 1 Permissible load per shelf in daN \triangle kg (load information for shelf brackets is only valid in conjunction with rectangular uprights).

3 Permissible load of shelves on baselegs

		Permissible load per shelf in daN \triangle kg (Loading information for shelf brackets is only valid in conjunction with rectangular uprights.)				
Support type		Baselegs H 16 or H 26  Z 1600  Z 1601				
Shelf depth in cm		T 37	T 47	T 57	T 67	T 77
Bay length in cm	66,5	230	290	350	450	360
	100	200	290	310	350	290
	125	155	260	270	310	270
	133	140	230	250	300	240

Tab. 2 Permissible load per shelf in daN \triangle kg (load information for shelf brackets is only valid in conjunction with rectangular uprights).

4
**Permissible load of the shelves – maximum loading capacity –
on extra heavy shelf brackets 4 hooks or baselegs**

Permissible load information (in kg) of the shelves – maximum loading capacity – on extra heavy shelf brackets with 4 hooks or baselegs							
Support type	Extra heavy brackets 4 H			Baselegs H 16 / H 26			
	Z 1425			Z 1600 Z 1601			
Shelf depth in cm	T 57	T 67	T 77	T 57	T 67	T 77	
Bay length in cm	100	255	230	200	500	540	500
	125	255	230	200	400	470	470
	133	255	230	200	380	400	450

Tab. 3 Permissible load per shelf in daN \triangleq kg (load information for shelf brackets is only valid in conjunction with rectangular uprights).

5
Permissible load of grid shelves on shelf brackets or baselegs

Permissible load per grid shelf in daN \triangleq kg (Load information for shelf brackets and baselegs is only valid in conjunction with rectangular uprights.)													
Support type	Bracket 2 H		Bracket 3 H		Heavy bracket 3 H				Baselegs H 16 or H 26				
	Z 1596		Z 1597		Z 1426				Z 1600 Z 1601				
Shelf depth in cm	T 37	T 47	T 47	T 57	T 37	T 47	T 57	T 67	T 37	T 47	T 57	T 67	
Bay length in cm	66,5	100	90	170	150	200	230	180	160	200	230	250	450
	100	100	90	170	150	130	180	180	160	130	180	180	350
	125	100	90	170	150	130	170	180	160	130	170	180	250
	133	100	90	160	150	130	160	180	160	130	160	180	200

Tab. 4 Permissible load per grid shelf in daN \triangleq kg (load information for shelf brackets and baselegs is only valid in conjunction with rectangular uprights).

6

Permissible load for baseleg H 8 for wall-mounted shelf stands and gondolas

(perm. total load of all shelves not including baseleg shelves in daN \triangleq kg)

Calculation of the average depth:

The average depth is calculated from the sum of the depths of all shelves – not including the baseleg shelf – divided by the number of shelves – not including the baseleg shelf.

Example:

Sum of all shelves not including baseleg shelf:

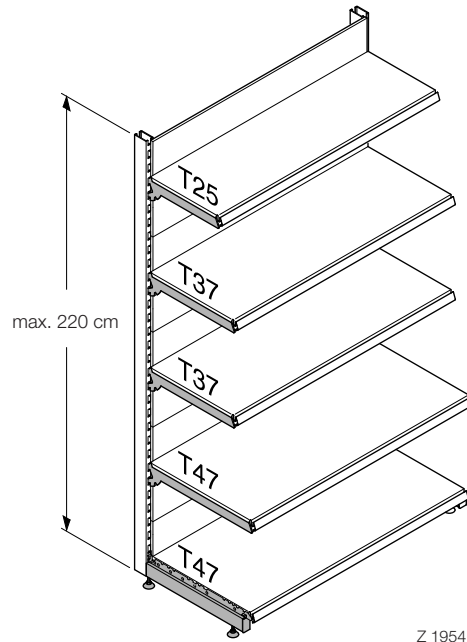
$$25 + 37 + 37 + 47 = 146$$

Number of shelves not including baseleg shelf: 4

$$146 / 4 = 36,5$$

	Permissible total load [kg] for an average depth D	
	T 30 / T 37 Baseleg depth of at least 47 cm	T 47 Baseleg depth of at least 57 cm
Upright		
50x30	150	120
60x30	230	180
80x30	250	200
110x30	250	200

Tab. 5 Permissible total load depending on the average depth D of the wall-mounted shelf stands and an H 8 baseleg.



Z 1954

Fig. 1 Wall-mounted shelf stands with an average depth D (T) of 37 and a baseleg shelf T 47.

7

Permissible load for baseleg H 16 and H 26 for wall-mounted shelf stands and gondolas

(perm. total load of all shelves not including baseleg shelves in daN \triangleq kg)

Calculation of the average depth:

The average depth is calculated from the sum of the depths of all shelves – not including the baseleg shelf – divided by the number of shelves – not including the baseleg shelf.

Example:

Sum of all shelves not including baseleg shelf:

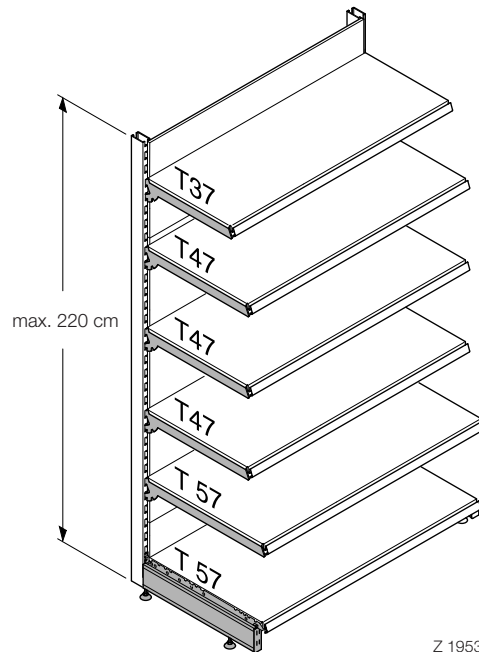
$$37 + 47 + 47 + 47 + 57 = 235$$

Number of shelves not including baseleg shelf: 5

$$235 / 5 = 47$$

	Permissible total load [kg] for an average depth D				
	T 37 Baseleg depth of at least 47 cm	T 47 Baseleg depth of at least. 57 cm	T 57 Baseleg depth of at least 67 cm	T 67 Baseleg depth of at least 77 cm	T 77 Baseleg depth of at least 77 cm
Upright					
50x30	180	130	100		
60x30	250	200	150	–	–
80x30	400	350	300	250	200
110x30	600	500	450	400	400

Tab. 6 Permissible total load depending on the average depth D of the wall-mounted shelf stands and an H 16 or H 26 – Baseleg.



Z 1953

Fig. 2 Wall-mounted shelf stands with an average depth D (T) of 47 and a baseleg shelf T 57.

Tegometall